



AIR CONDITIONING



HEATING AND COOLING SOLUTIONS

**DUCTED SYSTEMS**



## AUSTRALIA'S BEST AIR-CONDITIONER BRAND

We're proud to have been rated the best air-conditioner brand in the 2023 Finder Awards - that's the third year in a row! These awards recognise brand sentiment from customer feedback on different retail product categories.



## AUSTRALIA'S BEST AIR-CONDITIONER BRAND

We're proud to have been recognised by CHOICE® as Australia's best brand of air-conditioner six years in a row - something no other air-conditioner brand has done before. The award is based on test reviews of over 200 reverse cycle air-conditioners and the results of the annual reliability and satisfaction survey completed by CHOICE® members.



## AUSTRALIA'S MOST SATISFIED CUSTOMERS

We're also proud to have been named by Canstar Blue as having the most satisfied customers of any air-conditioner brand for the last five years. Canstar Blue's annual air-conditioner review rates air conditioning brands on functionality and features, noise, ease of use, reliability, value for money and overall consumer satisfaction.

## MITSUBISHI HEAVY INDUSTRIES AIR CONDITIONERS AUSTRALIA

Mitsubishi Heavy Industries Air-Conditioners Australia (MHIAA) is one of Australia's leading suppliers of premium residential and commercial air conditioning systems. Delivering engineering excellence for over 130 years, the Mitsubishi Heavy Industries brand is instantly recognisable for quality and technological advancement.

With innovation central to both the organisation and the development of air conditioning systems, Mitsubishi Heavy Industries carries a strong philosophy of engineering products that are designed to improve the lives of those who use them and at the same time, create a sustainable future for our company and the world we live in.

## COMMITTED TO QUALITY

Standing behind the quality of our products, is our commitment to our customers and our after sales service guarantees. Along with the rigorous quality assurance testing carried out on all Mitsubishi Heavy Industries products, comprehensive warranties provide you with peace of mind and carry our commitment to quality.

## 5 YEARS PARTS AND LABOUR WARRANTY

Mitsubishi Heavy Industries Air conditioners Australia focuses solely on manufacturing high performance air conditioners for the Australian market. All our systems are of the highest quality and are backed by a full 5 year parts and labour warranty.



## EXCEEDING ENERGY PERFORMANCE STANDARDS

To comply with Australian standards and deliver the most efficient solutions possible to our customers, all Mitsubishi Heavy Industries Air conditioners Australia systems meet and exceed the Minimum Energy Performance Standards (MEPS).

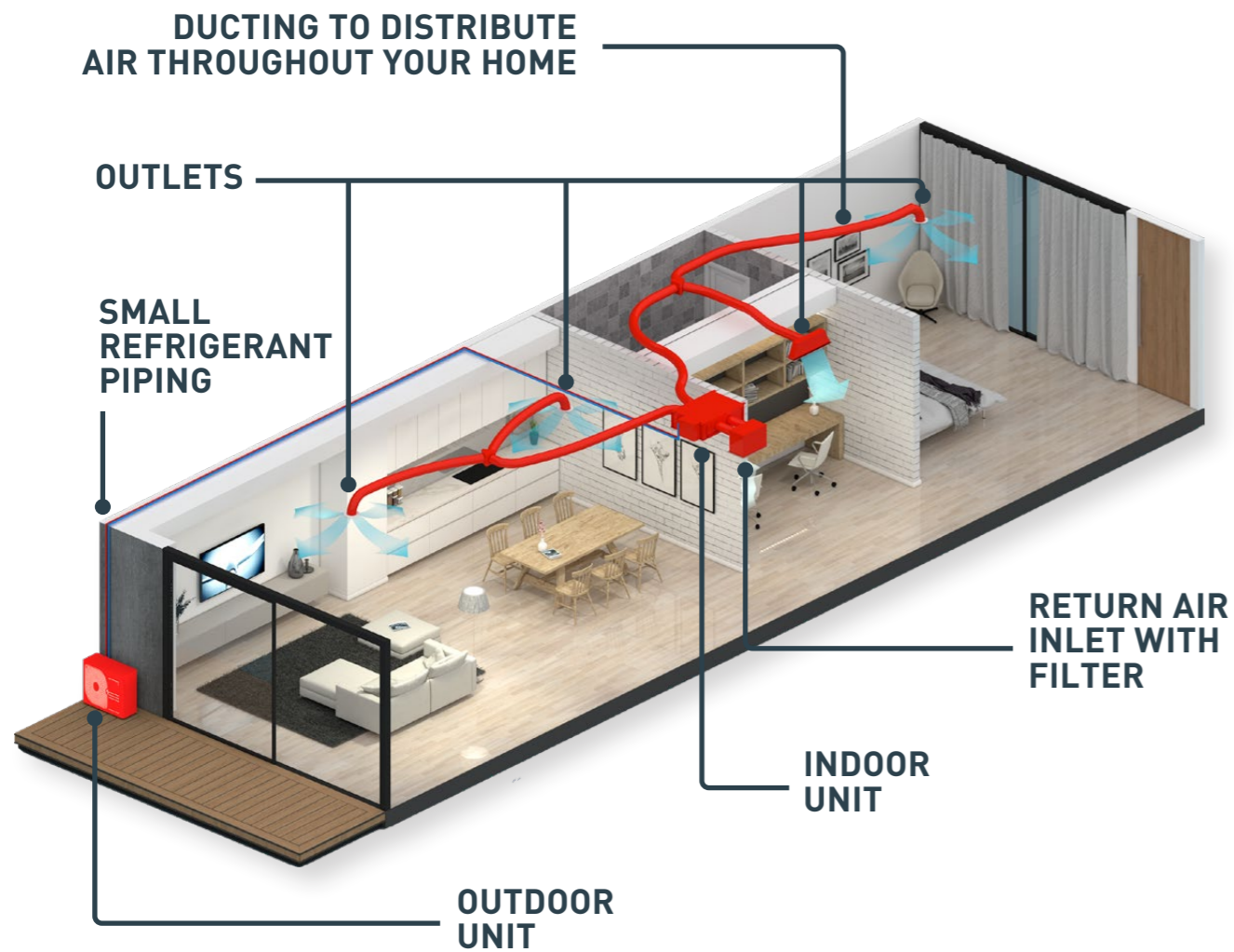


# MHIAA Ducted Systems

Our powerful yet quiet reverse cycle ducted systems let you enjoy the comfort of air conditioning in every part of your home or office with one packaged solution. With a discreet, low profile design that can be completely concealed in your ceiling and a variety of capacities and control options available, our ducted systems offer a flexible solution for any new or existing home.

Mitsubishi Heavy Industries ducted systems include an indoor unit (fan coil), outdoor unit (condenser), a controller and may include an optional zoning system, while an installer will also incorporate insulated ducting, air outlets and a return air inlet with a filter. These components work in unison to offer a complete heating and cooling solution and ensure your comfort all year round.

All Mitsubishi Heavy Industries ducted systems come with a built-in drain pump\*, are reverse cycle and have undergone strict and rigorous testing and quality control measures to ensure they are of the highest standards and will withstand the tough Australian climate.



\*Excludes FDU224KXZE1 and FDU280KXZE1

# Our Technology

## IMPROVED HEAT EXCHANGER

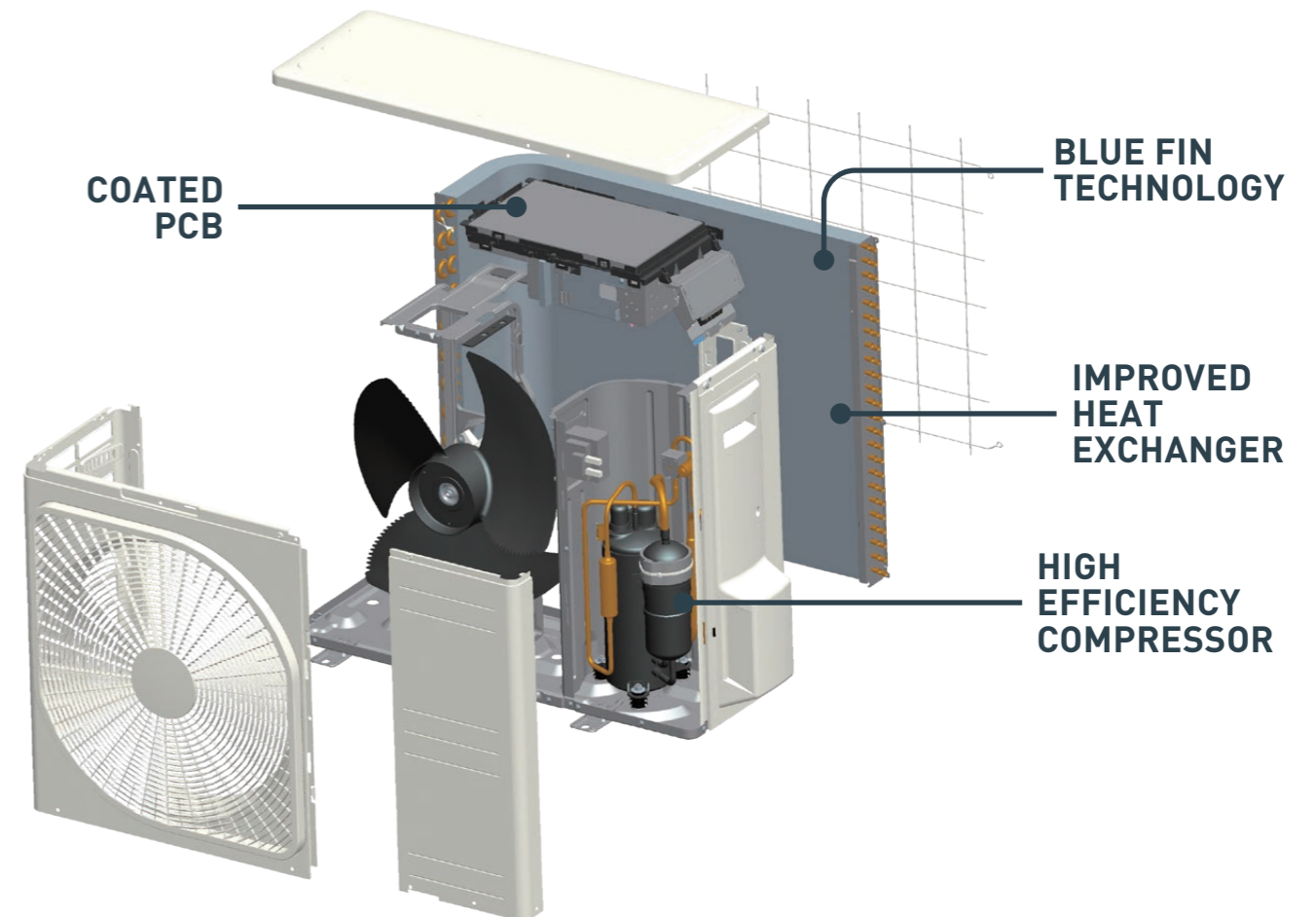
Our new and improved heat exchanger has been developed to improve refrigerant distribution and increase the systems effectiveness. The new design features a larger heat exchange area, boosting the unit's overall efficiency.

## COATED PCB

To protect against humid weather a protective coating is applied to the circuit board in the outdoor unit, allowing it to withstand Australia's varying weather conditions and ensure the longevity of your system.

## BLUE FIN TECHNOLOGY

Mitsubishi Heavy Industries outdoor units are coated with specially formulated layers that assist in preventing the hydrophilicity effect and assists in reducing the corrosion rate of the aluminium section from harsh Australian weather conditions.



## HIGH EFFICIENCY COMPRESSOR

One of the key features that provides Mitsubishi Heavy Industries air conditioners with their powerful performance is our highly efficient compressor. Combined with a Neodymium motor that uses powerful, rare earth magnets, Mitsubishi Heavy Industries air conditioners can deliver a higher motor efficiency while producing much less operational noise.

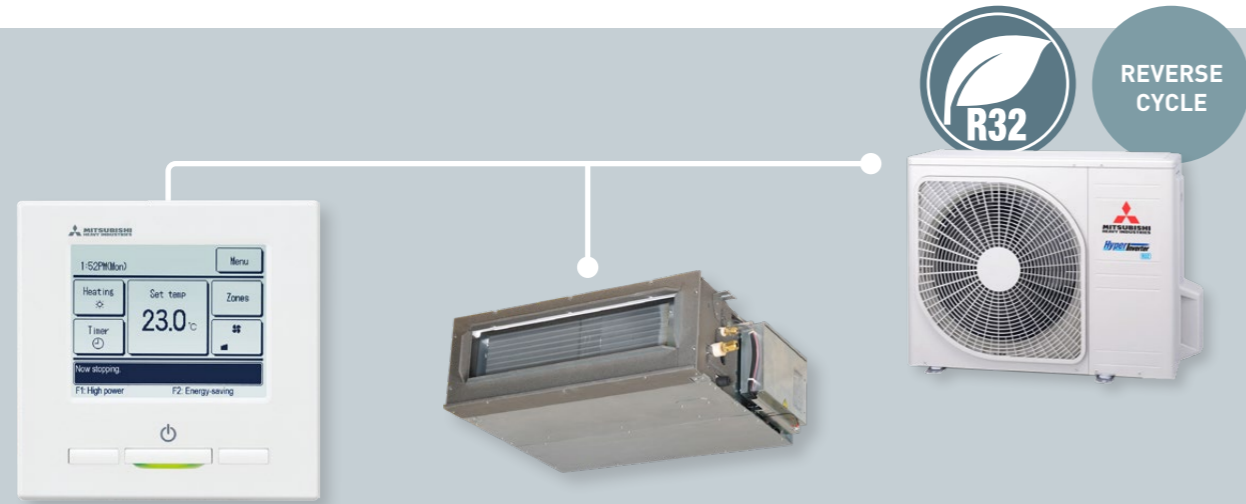
## DC PAM INVERTER

The PAM control used in Mitsubishi Heavy Industries air conditioners helps minimise the loss of electricity and boost the efficiency by allowing the unit to reach the temperature quickly before slowing down the compressor. This allows the unit to save energy while maintaining a comfortable temperature in the room.

## WIDE OPERATION RANGE

With our advanced technology and high quality components, Mitsubishi Heavy Industries air conditioners can operate in ambient outdoor temperatures as low as -20°C in heating mode and as high as +50°C in cooling mode. This permits the installation in areas where the temperature conditions can be considered extreme.

# FDUM Series



\*See pg. 11 for full list of features and functions

## MEDIUM STATIC PRESSURE

SINGLE PHASE MODELS (5.0KW - 5.6KW)



## 5.0kW | 5.6kW

Our FDUM series of medium static ducted systems are quiet, compact and come in both 5.0kW and 5.6kW capacities. Incorporating a range of convenient and energy saving features and functions, the FDUM series is the perfect multi-room heating and cooling solution for smaller Aussie homes.

### HYPER-INVERTER TECHNOLOGY

Our advanced hyper-inverter technology allows our ducted systems to reach the desired temperature quicker than ever before. Once the system has reached the set temperature it will ramp down and maintain this closely, switching on only when required - ensuring your comfort all year round and reducing energy consumption.

### R32 REFRIGERANT

Due to its superior qualities, R32 refrigerant used in the FDUM series requires less energy to achieve the desired temperature and has nearly a 70% lower Global Warming Potential when compared to the R410A refrigerant.

### QUIET OPERATION

The FDUM series boasts a super quiet operation level of 26 dB (A) on low fan speed. Combined with the unit's Silent Mode, the FDUM is perfect for bedrooms and ensures a good night's sleep for you and your family.

### BUILT-IN DRAIN PUMP

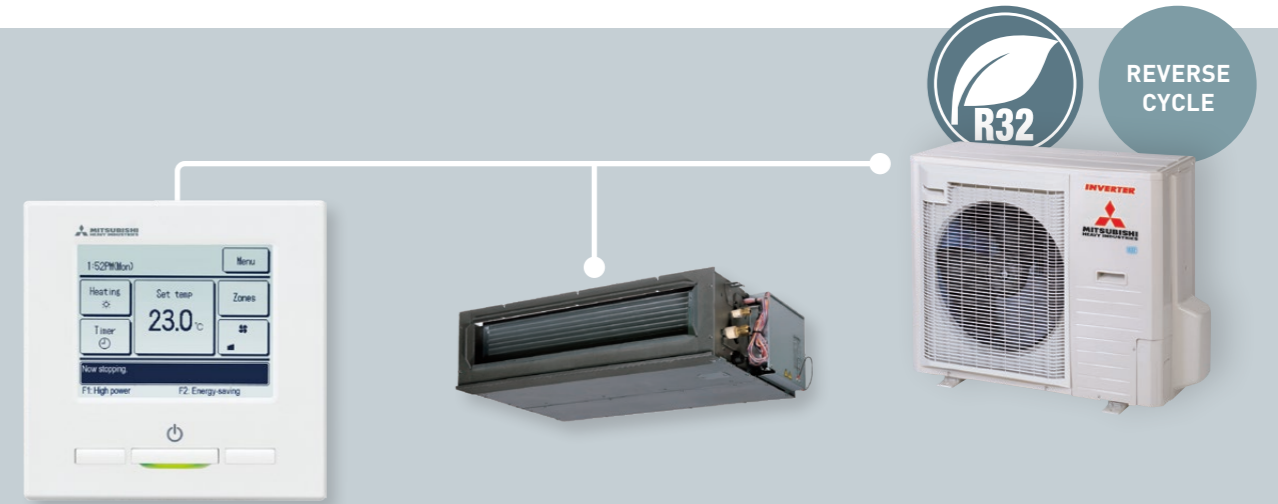
With a built-in drain pump the FDUM series allows greater flexibility during installation, making it the perfect solution for applications with limited ceiling space.

### OTHER CONTROL OPTIONS (SOLD SEPARATELY)



SRC50-60ZSXA-W outdoor unit shown.

# FDU Series



\*See pg. 11 for full list of features and functions

## MED/HIGH STATIC PRESSURE

SINGLE PHASE MODELS (7.1 KW - 14.0KW)  
THREE PHASE MODELS (10.0KW - 14.0KW)



## 7.1kW | 10.0kW | 12.1kW | 12.5kW | 14.0kW

Our FDU series of slimline ducted systems are a quiet and discreet solution for multiple rooms. Coming in a range of capacities ranging from 7.1kW up to 14kW and incorporating a range of convenient features and functions, the FDU series is the perfect heating and cooling solution for any sized Aussie home.

### INCREASED ENERGY EFFICIENCY

With an improved heat exchanger in the outdoor unit, boosting refrigerant distribution throughout the system, coupled with our highly efficient DC fan motor within the indoor unit, the FDU series boasts industry leading energy efficiencies which means reduced running costs for your home.

### SLIM LOW PROFILE DESIGN

With a slim, low-profile design measuring only 280mm in height, the FDU series offers the perfect solution for applications where ceiling space is limited.

### QUIET OPERATION

Thanks to our highly efficient DC fan motor, the FDU series boasts some of the quietest operation levels on the market - with our 7.1kW unit achieving a market leading low of 25 dB (A) on low fan speed. Combined with the unit's Silent Mode, the FDU series ensures no interruptions to room acoustics and a good night's sleep for you and your family.

### BUILT-IN DRAIN PUMP

With a built-in drain pump the FDU series allows greater flexibility during installation, making it the perfect solution for applications with limited ceiling space.

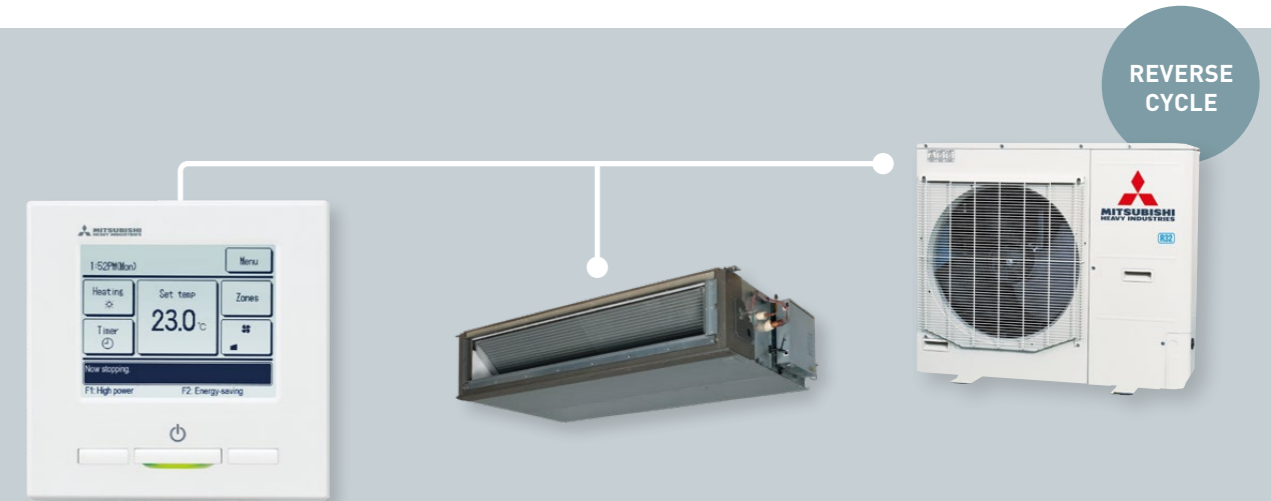
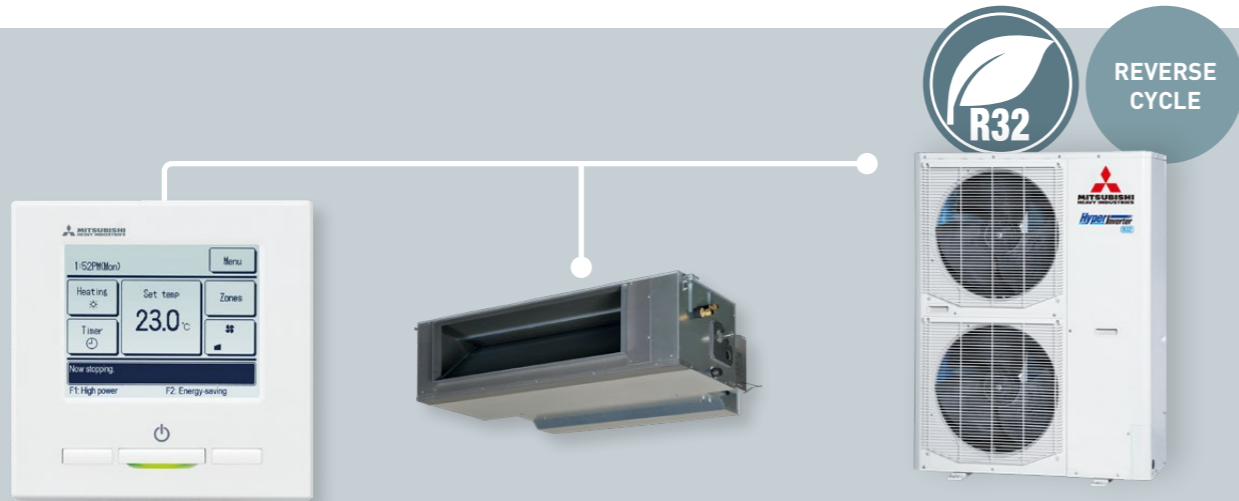
FDCA100VNP-W outdoor unit shown.

### OTHER CONTROL OPTIONS (SOLD SEPARATELY)



# FDUA Series

# KX Series

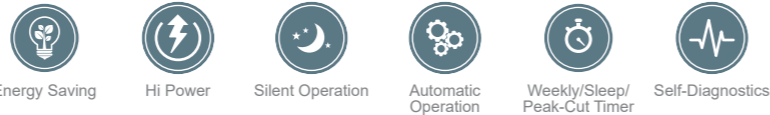


\*See pg. 11 for full list of features and functions

\*See pg. 11 for full list of features and functions

## HIGH STATIC PRESSURE

SINGLE PHASE MODELS (10.0kW - 16.0kW)  
THREE PHASE MODELS (10.0kW - 23.5kW)



## HIGH STATIC PRESSURE

SINGLE PHASE MODELS (9.0kW - 15.2kW)  
THREE PHASE MODELS (11.2kW - 28.0kW)



**10.0kW | 12.1kW | 12.5kW | 14.0kW | 16.0kW | 20.0kW | 23.5kW**

**9.0kW | 11.2kW | 14.0 kW | 15.2kW | 22.4kW | 28.0kW**

Our FDUA series of ducted systems are a quiet and discreet solution for multiple rooms. Coming in a range of capacities ranging from 10kW up to 23.5kW and incorporating a range of convenient features and functions, the FDUA is the perfect heating and cooling solution for any sized Aussie home.

Our KX series of ducted systems offer a durable and high performance heating and cooling solution. Coming in a range of capacities ranging from 9.0kW up to 28.0kW and incorporating VRF technology as well as a range of convenient features, KX compact series is the perfect heating and cooling solution for larger Aussie homes.

### INCREASED ENERGY EFFICIENCY

With an improved heat exchanger in the outdoor unit, boosting refrigerant distribution throughout the system, coupled with our highly efficient DC fan motor and R32 refrigerant, the FDUA series boasts industry leading energy efficiencies which means reduced running costs for your home.

### SPLITTABLE INDOOR UNIT

Splittable design\* allows the indoor unit to be separated into two components for easier handling during installation.

### VRF TECHNOLOGY

Traditionally used in larger, commercial projects, the KX compact series incorporates VRF (Variable Refrigerant Flow) technology to deliver high performance.

### COMPACT OUTDOOR UNIT

A compact outdoor unit offers additional flexibility with installation by allowing the outdoor unit to fit within smaller spaces.

### QUIET OPERATION

Thanks to our highly efficient DC fan motor, the FDUA series boasts quiet operation levels. Combined with the unit's Silent Mode, the FDUA series ensures no interruptions to room acoustics and a good night's sleep for you and your family.

### WIDER OPERATING RANGE

With a wider operating range, the FDUA series can operate in cooling mode in temperatures up to 50°C\*\* making it suitable for the tough Aussie conditions.

### BLUE FIN™ TECHNOLOGY

A specially formulated layer applied to internal components helps reduce corrosion and protect the outdoor unit's internal aluminium parts from the harsh Australian weather conditions.

### BUILT-IN DRAIN PUMP

With a built-in drain pump the KX series allows greater flexibility during installation, making it the perfect solution for applications with limited ceiling space.

\*Splittable design applies to 14kW and 16kW models.  
\*\*Excludes FDCA100VNP-W & FDCA125VNP-W  
FDCA140VNX-W/FDCA140VSX-W outdoor unit shown.

### OTHER CONTROL OPTIONS (SOLD SEPARATELY)

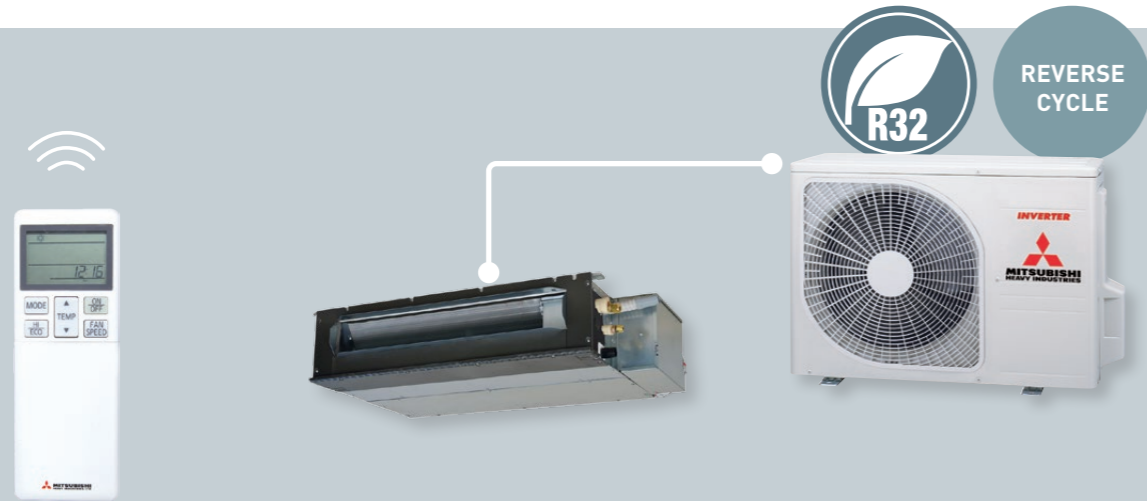


FDC112KXEN6 outdoor unit shown.  
Not compatible with Flexizone zoning solution.

### OTHER CONTROL OPTIONS (SOLD SEPARATELY)



# AKARI™ Series



\*See pg. 11 for full list of features and functions

## BULKHEAD SYSTEM

SINGLE PHASE MODELS (2.5KW - 5.6KW)



## 2.5kW | 3.5 kW | 5.0kW | 5.6kW

The Akari™ series of low profile bulkhead systems are designed to sit within your ceiling space and distribute air via discreet grilles. These compact units require no ducting and are perfect for renovated spaces and applications such as apartments where space is at a premium. They deliver a quiet, efficient and integrated heating and cooling solution.

### SUPER SLIM LOW PROFILE DESIGN

With a super slim, low-profile design measuring only 200mm in height, the Akari™ series offers the perfect solution for apartments or applications where ceiling space is limited and the indoor unit needs to be fitted in a concealed area.

### BUILT-IN DRAIN PUMP

Capitalising on Mitsubishi Heavy Industries extensive experience in drain pump technology, the Akari™ series features a built-in condensation drain pump for easier installation.

SRC25-35ZSA-W outdoor unit shown.

### SUPER QUIET OPERATION

The Akari™ series offers some of the quietest operation levels on the market achieving 24 dB(A) on low fan mode - perfect for bedrooms.

### HI POWER OPERATION

Provides 15mins of boosted power allowing you to quickly heat or cool your home before returning to normal operation. Perfect for when you first turn on the unit.

### OTHER CONTROL OPTIONS (SOLD SEPARATELY)



# Features and Functions

	FUNCTION	DESCRIPTION	FDU	FDUA	FDUM	KX	AKARI
AIRFLOW	Automatic Fan Speed	On-board microcomputer continuously monitors the room's air temperature and adjusts the air flow automatically.	■	■	■	■	■
	Air Filter	The air filter in the unit traps and removes airborne dust particles and other allergens to provide you with a clean air function.					■
	Filter Sign	Alerts you to when the filter needs to be cleaned.	■	■	■	■	■
	Outside Air Intake	Allocated outside air inlet connection available on indoor unit to provide fresh air into the room, avoiding the constant recycling of internal air. **	■	■	■	■	
	Self-Clean Operation	Dries the indoor unit components by running the fan on ultra-low mode, preventing the growth of mould. Designed to be run regularly after use.					■
ENERGY SAVING	Set Temperature Auto Return*	Allows you to program a preferred set temperature that the unit will return to each time it is operated.	■	■	■	■	
	Home Leave Operation*	Will maintain a moderate indoor temperature, avoiding extremely hot or cool temperatures. Perfect for when you're away on holidays.	■	■	■	■	
	Eco Operation	The unit operates at a slightly reduced capacity to reduce power consumption while maintaining a comfortable room temperature.	■	■	■	■	■
COMFORT & CONVENIENCE	Hi Power Operation*	Provides 15mins of boosted power allowing you to quickly heat or cool your home before returning to normal operation. Perfect for when you first turn on the unit.	■	■	■	■	■
	Dry Operation	Reduces humidity by removing moisture from the air without affecting the indoor temperature.	■	■	■	■	■
	Silent Operation	Allows you to program periods where the unit will operate with reduced noise levels, perfect for night time and an uninterrupted sleep.	■	■	■	■	■
	Automatic Operation	Automatically selects the required heating or cooling function based on the current room conditions.	■	■	■	■	■
TIMERS	Function Switch*	From the six available functions on the unit, this function allows you to set two functions to operate automatically. (Note: this is not available when a centralised remote control is connected).	■	■	■	■	
	On/Off Timer	Set your unit to turn on and off once, at specific times, within a 24 hour period. Unit will then turn on and off at the specified times every day.	■	■	■	■	■
	Weekly Timer	Set your unit to turn on and off automatically on a weekly basis to suit your usual room usage on each day.	■	■	■	■	■
	Sleep Timer	This function allows you to set a pre-determined amount of time between 30 and 240 mins that your unit will operate for before switching off.	■	■	■	■	■
	Night Setback	Designed for the colder seasons, this function ensures the room temperature is kept at around 10°C, even while unoccupied.					■
MAINTENANCE & PREVENTION	Peak-Cut Timer*	This function lets you to preset the capacity limit during certain periods of the day, minimising energy consumption during peak billing times, thus reducing operation costs.	■	■	■	■	
	Child Lock	Locks the remote control to prevent little ones from changing functions and other settings. Useful for families with curious young children.					■
	Self-Diagnostics	Microcomputer automatically runs a diagnostic of the system in the event of a malfunction. This enables your authorised dealer to isolate and repair any issues.	■	■	■	■	■
	Improved Serviceability	The fan unit (comprised of impeller and motor) is easily accessible from either the side or bottom of the unit and can be slid out for easy maintenance. (Not applicable to all models)	■	■	■	■	
	Built-in Drain Pump	The built-in drain pump, which includes a lift of 600 or 850mm, allows greater flexibility with installation, offering a great solution for applications with limited space.	■	■	■	■	■
	Auto Restart Function	Automatically restarts the unit in the same operating mode if it suffers a loss of power. (Disabled for some models by default)	■	■	■	■	■

\*Functions can only be enabled using RC-EXZ3A wired controller.  
 FDU224KXZE1 and FDU280KXZE1 do not include built-in drain pumps.  
 Drain pump assembly can be purchased from MRE spare parts.  
 On/off timer, weekly timer and sleep timer are disabled if Wi-Fi accessory connected. Similar functions can be set via the AC Cloud application.  
 \*\*Requires a separate outside air duct to be connected to indoor unit.

# Control Options



## WIRED CONTROLLER

- Large, 3.8" backlit LCD touch screen with easy to navigate menu.
- Control the set temperature, operation mode and fan speed.
- Access timer and scheduling functions.
- Access additional features including Home Leave mode, Silent Mode, High Power mode plus many more.
- Multi-language display (7 languages)

\*RC-EXZ3A controller shown.  
 \*\*Requires SC-BIKN2-E kit (sold separately) for use with bulkhead systems.  
 \*\*\*Function limitations may apply.



## WIRELESS CONTROLLER

- LCD Display.
- Control the set temperature, operation mode and fan speed.
- Access timer and scheduling functions.

\*Wireless controller from RCN-KIT4-E2 shown. Standard with bulkhead systems.  
 \*\*Requires RCN-KIT4-E2 wireless kit (sold separately) for use with ducted systems.  
 \*\*\*Function limitations may apply.



## WI-FI

- Control your system using your smart device (iPhone, iPad, Android) or internet browser via AC Cloud Control app.
- Control the set temperature, operation mode and fan speed remotely.
- Control your system using Voice Commands via Google or Amazon smart speaker devices.
- Set up 'favourite' scenes and activate them with a single tap.
- Set your system to respond to the weather, you arriving home, calendar events + more\*\*.
- Receive instant notifications and email updates and create usage logs\*\*

\*Requires MH-RC-WIFI-1B Wi-Fi adaptor (sold separately) for use with ducted systems.  
 \*\*Requires MH-AC-WIFI-1 Wi-Fi adaptor (sold separately) for use with bulkhead systems.  
 \*\*\*In conjunction with IFTTT and other apps (must be downloaded separately).  
 Some additional functions including zone control are not available via AC Cloud Control app.  
 The system's On/Off timer, weekly timer and sleep timer are disabled if a Wi-Fi accessory is connected.  
 Similar functions can be set via the AC Cloud App.  
 In some applications, a 12V DC external power supply may be required for MH-RC-WI-FI-1B.



**AC Cloud Control**

Controlling your device with AC Cloud Control app requires aforementioned Wi-Fi adaptors and working internet or Wi-Fi connection. Google Account required for use with Google devices. Features and services may change without notice. Google is a trademark of Google LLC.

# FlexiZone Zoning Solution

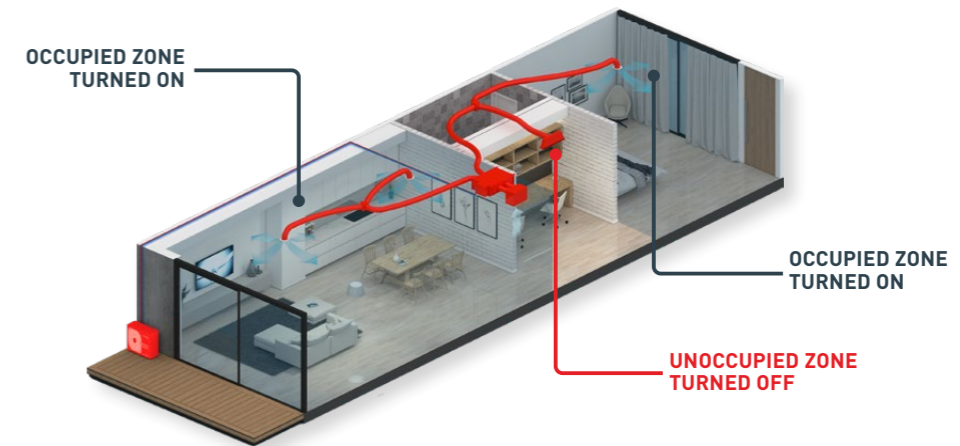


## WIRED ZONE CONTROLLER

- Individual on/off control of up to 4 zones when used in conjunction with MHIAA's zoning solution\*.
- Large, 3.8" backlit LCD touch screen with easy to navigate menu.
- Control the operation mode and set temperature of your system.
- Access timer and scheduling functions.
- Access additional features including Home Leave mode, Silent Mode and High Power mode.
- Multi-language display (7 languages)

RC-EXZ3A controller shown. \*MHIAA zoning solution includes relay board MH-4ZRMV2 (sold separately)  
 \*\*\*Flexizone not compatible with FDUA200AVSAWVH or KX 1:1 systems

**FLEXIZONE**



# Airzone Zoning Solution

Easily integrated into any MHIAA ducted system the advanced Airzone zoning solution offers the ultimate level of comfort by providing complete temperature control over each individual zone of your home or office.



## AIRZONE ZONE CONTROLLER

- Individual temperature and on/off control of up to 10 zones when used in conjunction with Airzone zoning solution\*.
- Control the set temperature, operation mode and fan speed.
- Turn unoccupied zones off to save energy.
- Control your system using your smart device (iPhone, iPad, Android) or internet browser via easy to use Airzone app.
- Access timer and scheduling functions.

Blueface controller shown (AZVAFBLUEFACECB)  
 \*Airzone zoning solution includes motorised dampers, Airzone control board and webserver (sold separately)

**AIRZONE**







# PRODUCT SPECIFICATIONS

## KX SERIES

CAPACITY		9.0KW	11.2KW	14.0KW	15.2KW	11.2 KW	14.0 KW	15.2 KW	22.4KW	28.0KW
Indoor		FDU90KXE6F-W	FDU112KXE6F-W	FDU140KXE6F-W	FDU160KXE6F-W	FDU112KXE6F-W	FDU140KXE6F-W	FDU160KXE6F-W	FDU224KXE6F-W	FDU280KXE6F-W
Outdoor		FDC90KXZEN1-W	FDC112KXZEN1-W	FDC140KXZEN1-W	FDC152KXZEN1-W	FDC112KXZEN1-W	FDC140KXZEN1-W	FDC152KXZEN1-W	FDC224KXZPE1	FDC280KXZPE1
Power Source (Outdoor Unit)		1 Phase 240V 50Hz		3 Phase 380-415V 50Hz		3 Phase 380-415V 50Hz				
Nominal Capacity Range	Cooling T1	9.00	11.2	14.0	15.2	11.2	14.0	15.2	22.4	28.0
	Heating H1	9.00	11.2	14.0	15.5	11.2	14.0	15.5	22.4	28.0
Power Consumption (Indoor Unit)	Cooling T1	0.25	0.32	0.36	0.43	0.32	0.36	0.43	1.20	1.20
	Heating H1	0.25	0.32	0.36	0.43	0.32	0.36	0.43	1.20	1.20
Power Consumption (Outdoor Unit)	Cooling T1	1.98	2.55	4.00	4.87	2.55	4.00	4.87	5.60	7.87
	Heating H1	1.93	2.53	3.52	4.06	2.53	3.52	4.06	4.80	6.47
Running Current (Indoor Unit)	Cooling T1	1.70	2.00	2.20	2.50	2.00	2.20	2.50	6.50	6.50
	Heating H1	1.70	2.00	2.20	2.50	2.00	2.20	2.50	6.50	6.50
Running Current (Outdoor Unit)	Cooling T1	8.30	10.7	16.8	20.5	3.8	6.0	7.4	9.2	12.9
	Heating H1	8.10	10.6	14.8	17.1	3.8	5.4	6.2	7.9	10.6
Inrush Current, Maximum Current	Cooling T1	5.23	5.23	5.23	5.23	5.23	5.23	5.23	5.21	5.22
	Heating H1	5.23	5.23	5.23	5.23	5.23	5.23	5.23	5.21	5.22
Sound Pressure Level (JIS C9612)	Indoor	P-Hi:37 Hi:31 Me:27 Lo:22	P-Hi:40 Hi:36 Me:34 Lo:28	P-Hi:41 Hi:37 Me:34 Lo:28	P-Hi:45 Hi:38 Me:34 Lo:29	P-Hi:40 Hi:36 Me:34 Lo:28	P-Hi:41 Hi:37 Me:34 Lo:28	P-Hi:45 Hi:38 Me:34 Lo:29	P-Hi:52 Hi:50 Me:47 Lo:45	P-Hi:52 Hi:50 Me:47 Lo:45
	Outdoor	53	54	54	54	54	54	54	60	63
External Dimensions (HXWxD)	Indoor	280x950x635	280x1388x740	280x1388x740	280x1388x740	280x1388x740	280x1388x740	280x1388x740	379x1600x893	379x1600x893
	Outdoor	845x970x370	845x970x370	845x970x370	845x970x370	845x970x370	845x970x370	845x970x370	1505x970x370	1505x970x370
Net Weight	Indoor	34	54	54	54	54	54	54	89	89
	Outdoor	85	85	85	85	87	87	87	165	165
Supply Air Connection	mm	170 x 880	170 x 1200	170 x 1200	170 x 1200	170 x 1200	170 x 1200	170 x 1200	250 x 1450	250 x 1450
	Pa	200 x 740	235 x 1280	235 x 1280	235 x 1280	235 x 1280	235 x 1280	235 x 1280	250 x 1450	250 x 1450
Return Air Connection	mm	200	200	200	200	200	200	200	200	200
	Pa	P-Hi:400 Hi:317 Me:250 Lo:167	P-Hi:600 Hi:467 Me:417 Lo:317	P-Hi:650 Hi:533 Me:433 Lo:333	P-Hi:800 Hi:583 Me:467 Lo:367	P-Hi:600 Hi:467 Me:417 Lo:317	P-Hi:650 Hi:533 Me:433 Lo:333	P-Hi:800 Hi:583 Me:467 Lo:367	P-Hi:1333 Hi:1200 Me:1067 Lo:933	P-Hi:1333 Hi:1200 Me:1067 Lo:933
External Static Pressure (Max)	Indoor (Cooling)	(R32) 4.2	(R32) 4.2	(R32) 4.2	(R32) 4.2	(R32) 4.2	(R32) 4.2	(R32) 4.2	(R410A) 8.9	(R410A) 8.9
	Indoor (Heating)	30**	30**	30**	30**	30**	30**	30**	0.5**	0.5**
Refrigerant (Type, Amount, Pre-charge Length)	Quantity	30**	30**	30**	30**	30**	30**	30**	0.5**	0.5**
	Pre-Charged To Pipe Length	Ø9.52	Ø9.52	Ø9.52	Ø9.52	Ø9.52	Ø9.52	Ø9.52	Ø9.52	Ø9.52
Refrigerant Piping	Liquid Line	Ø15.88	Ø15.88	Ø15.88	Ø15.88	Ø15.88	Ø15.88	Ø15.88	Ø19.05	Ø22.22
	Gas Line									
Installation Data	Connection Method	Flare Connection								
	Maximum Pipe Length (One Way)	50	50	50	50	50	50	50	50	90
Controller	Max vertical height diff. between O.U. and I.U.	30 (O.U. above I.U.) / 15 (O.U. below I.U.)								
		RC-E5, RC-EXZ3A, RC-IE3, RC-IE3 or RCN-KIT4-E2								
Motion Sensor (Optional)		LB-KIT2								
Demand response (AS4755)	Outdoor air temperature (upper, lower limits)	No	No	No	No	No	No	No	No	No
		-15 to 43	-15 to 43	-15 to 43	-15 to 43	-15 to 43	-15 to 43	-15 to 43	-15 to 50	-15 to 50
Outdoor air temperature (upper, lower limits)	Cooling	-20 to 20	-20 to 20	-20 to 20	-20 to 20	-20 to 20	-20 to 20	-20 to 20	-20 to 20	-20 to 20
	Heating									

\* Operation data has been gathered in accordance with AS/NZS 3823 standards. For testing conditions please refer to Page 17.

\*\*Please refer to E-solution software or technical manual for additional refrigerant requirements. Flarezone not compatible with KX 1:1 systems.

# PRODUCT SPECIFICATIONS

## AKARI™ SERIES

CAPACITY		2.5kW	3.5kW	5.0kW	6.0kW
Indoor		SRR25ZS-W	SRR35ZS-W	SRR50ZS-W	SRR60ZS-W
Outdoor		SRC25ZSA-W	SRC35ZSA-W	SRC50ZSA-W	SRC60ZSA-W
Power Source (Outdoor Unit)		1 Phase 240V 50Hz			
Nominal Capacity (Range)	Cooling T1	2.5 (0.9-3.4)	3.5 (0.9-4.1)	5.0 (1.2-6.0)	5.6 (1.2-6.5)
	Heating H1	3.4 (0.9-5.0)	4.2 (1.0-5.2)	5.4 (1.0-8.2)	6.7 (1.0-8.6)
Power Consumption	Heating H2	3.55	4.1	6.0	6.8
	Cooling T1	0.56 (0.20-0.90)	0.93 (0.19-1.26)	1.42 (0.22-2.02)	1.70 (0.22-2.57)
Maximum Power Consumption	Heating H1	0.75 (0.20-1.42)	1.01 (0.20-1.45)	1.39 (0.2-2.86)	1.89 (0.2-2.89)
		1.65	1.65	2.9	2.9
Running Current	Cooling T1	2.7	4.2	6	7.2
	Heating H1	3.5	4.5	5.9	8
Inrush Current, Maximum Current		3.5, 9.0	4.5, 9.0	5.0, 15.0	5.0, 15.0
	EER	4.46	3.76	3.52	3.29
COP	Heating H1	4.53	4.16	3.88	3.54
	Outdoor	60	62	63	65
Sound Power Level (JIS C9612)	Indoor	37-33-30-24	38-34-31-25	41-37-34-29	44-38-35-30
	Outdoor	47	50	51	52
Sound Pressure Level (JIS C9612)	Indoor	200x750(+120)x500	200x750(+120)x500	200x950(+120)x500	200x950(+120)x500
	Outdoor	540x780(+62)x290	540x780(+62)x290	640x800(+71)x290	640x800(+71)x290
External dimensions (HXWxD)	Cooling	★★★★ (3.5)	★★★★ (3.5)	★★★★ (3)	★★★★ (3)
	Heating	★★★★ (3.5)	★★★★ (3)	★★★★ (3.5)	★★★★ (3)
Energy Label (GEMS 2019)	Cooling	★★★★ (3)	★★★★ (3)	★★★★ (2.5)	★★★★ (2.5)
	Heating	★★★★ (3)	★★★★ (2.5)	★★★★ (3)	★★★★ (3)
Net weight	Cooling	★★★★ (2.5)	★★★★ (2.5)	★★★★ (2)	★★★★ (2)
	Indoor	20.5	20.5	24	24
Airflow	Outdoor	34.5	34.5	45	45
	Cooling (Indoor)	158-133-108-75	167-142-117-83	211-183-167-125	242-192-175-133
Installation Data	Heating (Indoor)	167-150-133-100	175-158-142-108	233-208-183-142	250-217-192-150
	Refrigerant (Type, Amount, Pre-charge Length)	(R32) 0.78	(R32) 0.78	(R32) 1.3	(R32) 1.3
Refrigerant Piping	Quantity	15	15	15	15
	Pre-Charged to Pipe	mm	mm	mm	mm
Connection Method	Liquid line	Ø6.35	Ø6.35	Ø6.35	Ø6.35
	Gas line	Ø9.52	Ø9.52	Ø12.7	Ø12.7
Standard accessories	Maximum Pipe Length (One Way)	Flare connection			
	Max Vertical Height Diff. Between O.U. and I.U.	20	20	30	30
Optional parts	Standard accessories	10 (O.U. above I.U.) / 10 (O.U. below I.U.)			
	Demand Response (AS4755)	Polypropylene Net x1			
Outdoor air temperature (upper, lower limits)	Outdoor air temperature (upper, lower limits)	Interface kit (SC-BIKN2-E) / Wi-Fi Kit			
		Yes			
Item	Indoor Air Temperature	-15 to 46			
	Outdoor Air Temperature	-15 to 24			
Operation	DB	Standards			
	27°C	AS/NZ 3823.2			
Cooling	19°C				
	24°C				
Heating	20°C				
	7°C				

(1) The data is measured at the conditions mentioned in the table to the left.

(2) The air conditioner is manufactured and tested in conformity with the AS/NZS.

(3) Sound level indicates the value in an anechoic chamber. During operation these values are somewhat higher due to ambient conditions.

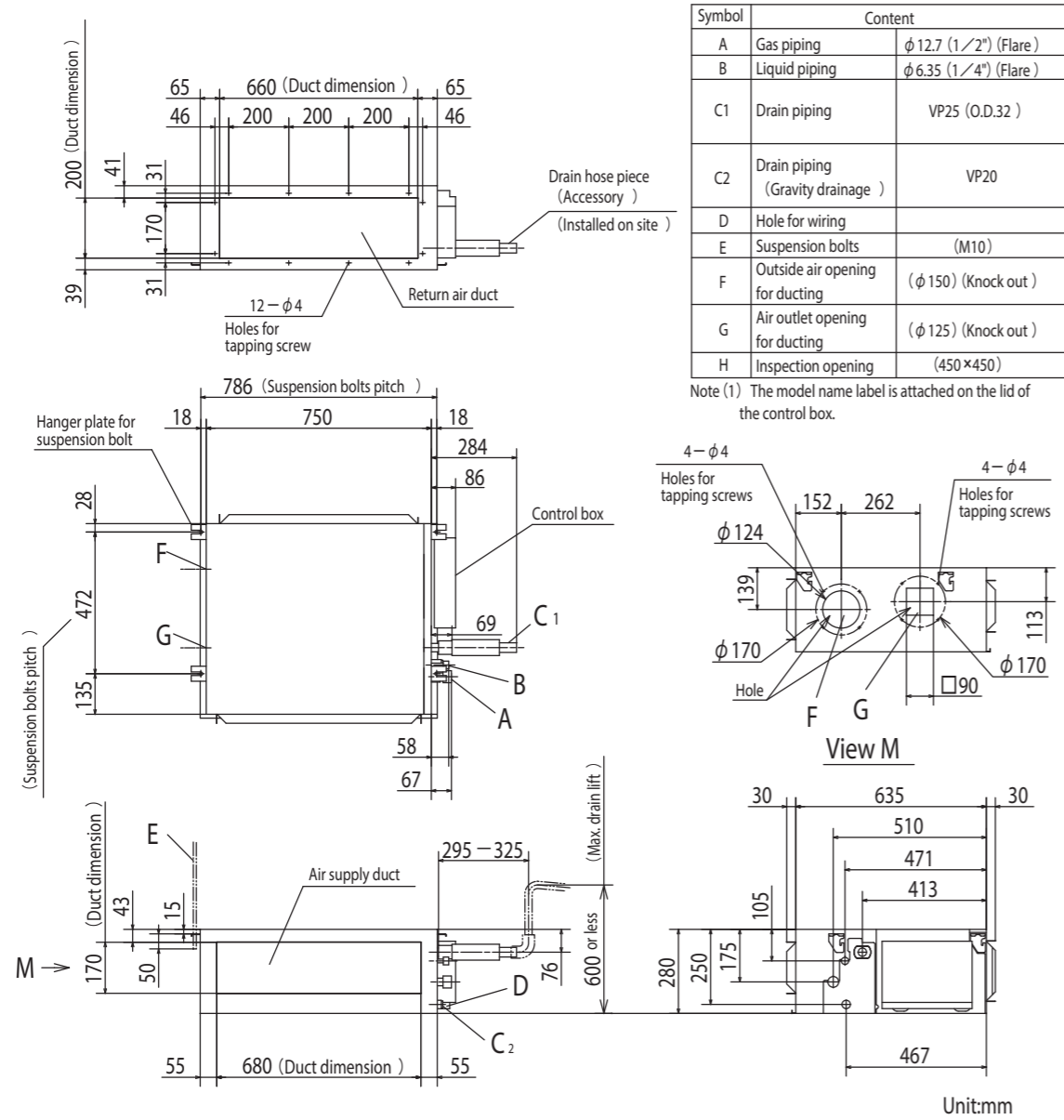
(4) Select the breaker size according to applicable national standard.

(5) The operation data indicates when the air-conditioner is operated at 240V 50Hz.

\*Product specifications are accurate at time of printing and may be subject to updates.

# FDUM Series

## FDUM50VH



Symbol	Content	
A	Gas piping	φ 12.7 (1/2") (Flare)
B	Liquid piping	φ 6.35 (1/4") (Flare)
C1	Drain piping	VP25 (O.D.32)
C2	Drain piping (Gravity drainage)	VP20
D	Hole for wiring	
E	Suspension bolts	(M10)
F	Outside air opening for ducting	(φ 150) (Knock out)
G	Air outlet opening for ducting	(φ 125) (Knock out)
H	Inspection opening	(450×450)

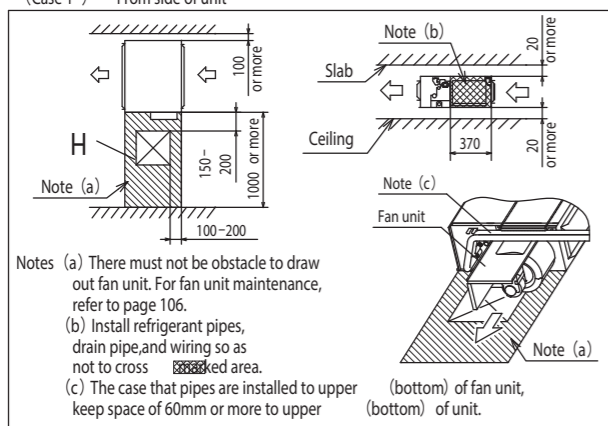
Note (1) The model name label is attached on the lid of the control box.

Unit:mm

### Space for installation and service

Select either of two cases to keep space for installation and services.

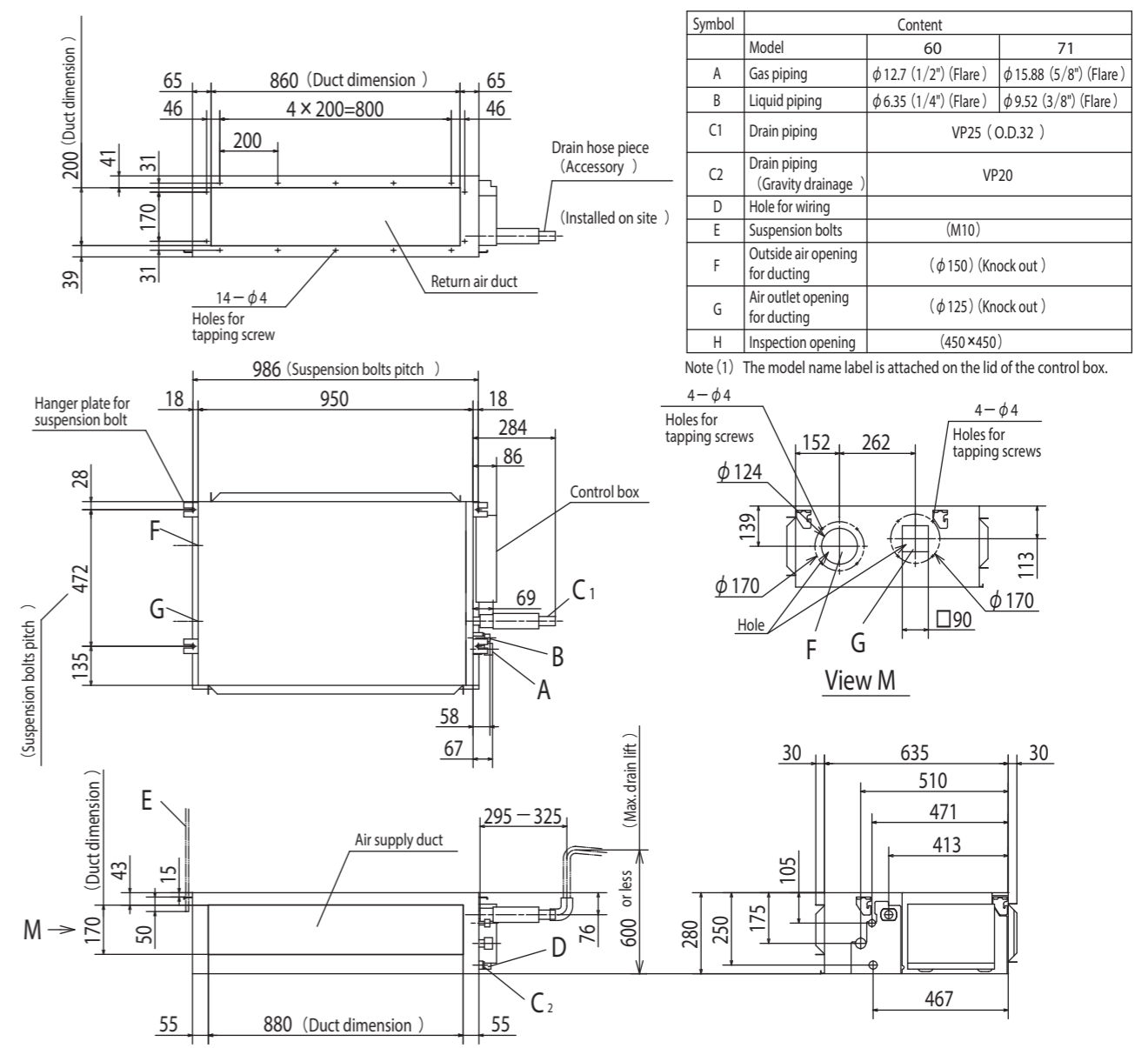
(Case 1) From side of unit



Notes (a) There must not be obstacle to draw out fan unit. For fan unit maintenance, refer to page 106.  
 (b) Install refrigerant pipes, drain pipe, and wiring so as not to cross shaded area.  
 (c) The case that pipes are installed to upper (bottom) of fan unit, keep space of 60mm or more to upper (bottom) of unit.

# FDUM Series

## FDUM60VH



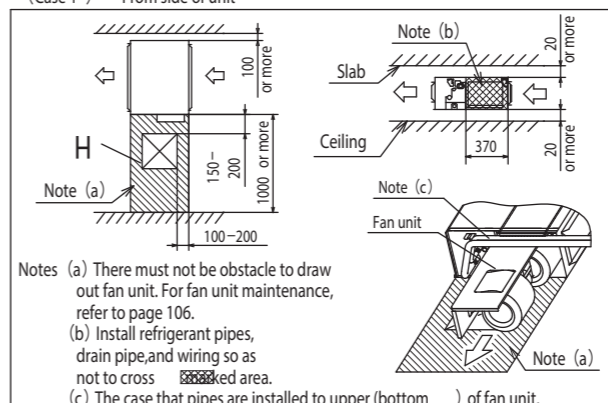
Symbol	Content		
	Model	60	71
A	Gas piping	φ 12.7 (1/2") (Flare)	φ 15.88 (5/8") (Flare)
B	Liquid piping	φ 6.35 (1/4") (Flare)	φ 9.52 (3/8") (Flare)
C1	Drain piping	VP25 (O.D.32)	
C2	Drain piping (Gravity drainage)	VP20	
D	Hole for wiring		
E	Suspension bolts	(M10)	
F	Outside air opening for ducting	(φ 150) (Knock out)	
G	Air outlet opening for ducting	(φ 125) (Knock out)	
H	Inspection opening	(450×450)	

Note (1) The model name label is attached on the lid of the control box.

### Space for installation and service

Select either of two cases to keep space for installation and services.

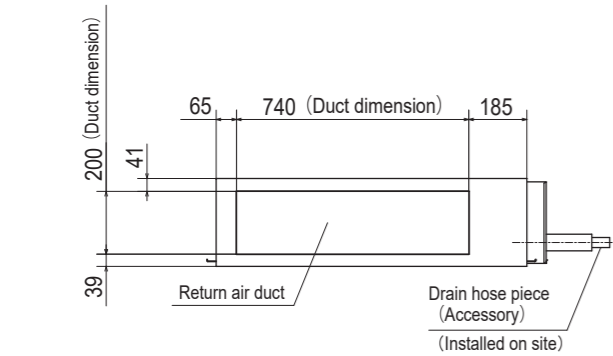
(Case 1) From side of unit



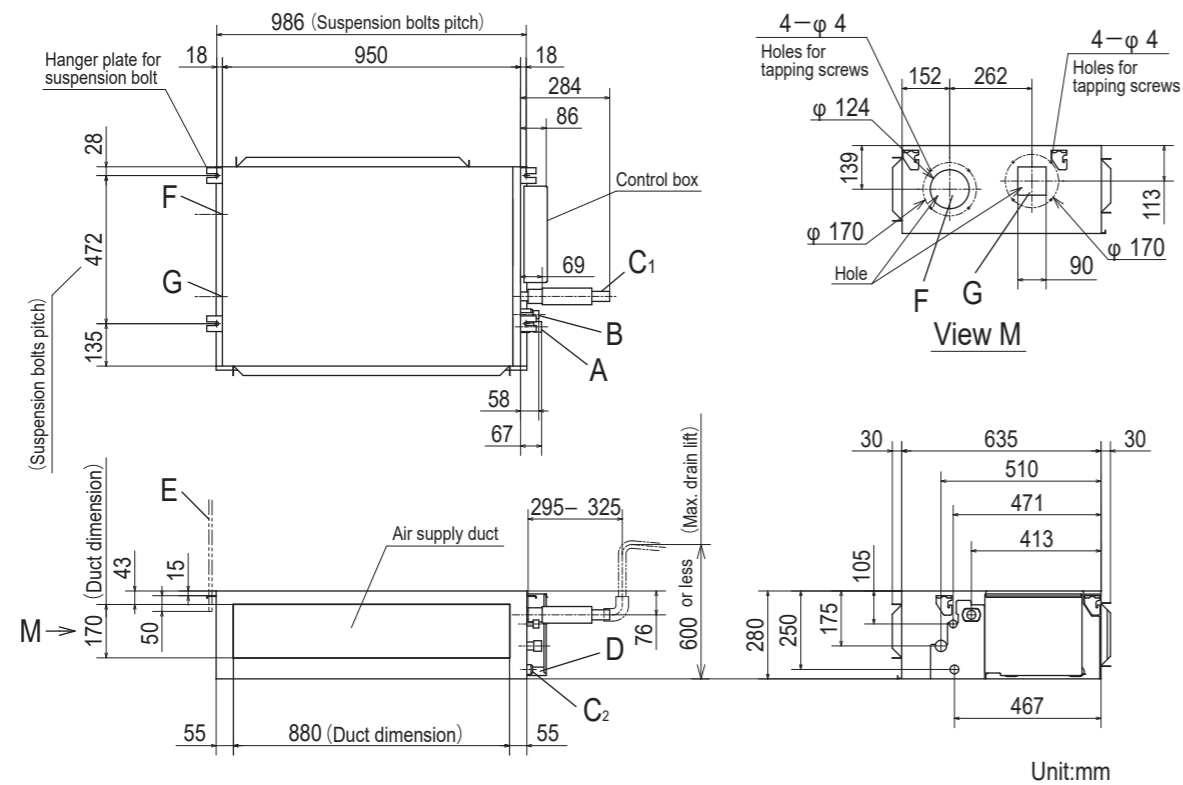
Notes (a) There must not be obstacle to draw out fan unit. For fan unit maintenance, refer to page 106.  
 (b) Install refrigerant pipes, drain pipe, and wiring so as not to cross shaded area.  
 (c) The case that pipes are installed to upper (bottom) of fan unit, keep space of 60mm or more to upper (bottom) of unit.

# FDU Series

FDU71VH



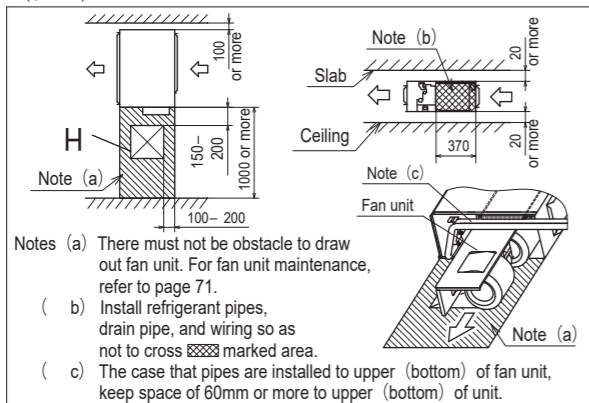
Symbol	Content	
A	Gas piping	φ 15.88 (5/8") (Flare)
B	Liquid piping	φ 9.52 (3/8") (Flare)
C1	Drain piping	VP25 (O.D.32)
C2	Drain piping (Gravity drainage)	VP20
D	Hole for wiring	
E	Suspension bolts	(M10)
F	Outside air opening for ducting	(Knock out)
G	Air outlet opening for ducting	(Knock out)
H	Inspection opening	(450×450)



Unit:mm

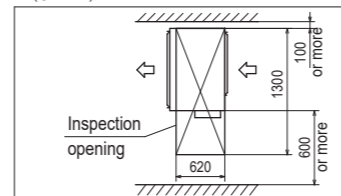
### Space for installation and service

Select either of two cases to keep space for installation and services.  
(Case 1) From side of unit



- Notes (a) There must not be obstacle to draw out fan unit. For fan unit maintenance, refer to page 71.  
(b) Install refrigerant pipes, drain pipe, and wiring so as not to cross marked area.  
(c) The case that pipes are installed to upper (bottom) of fan unit, keep space of 60mm or more to upper (bottom) of unit.

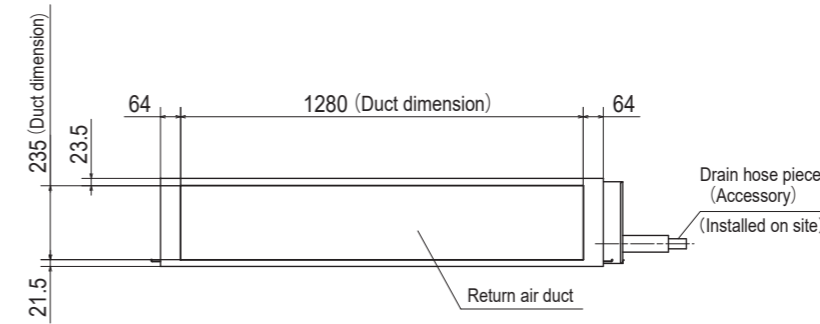
### (Case 2) From bottom of unit



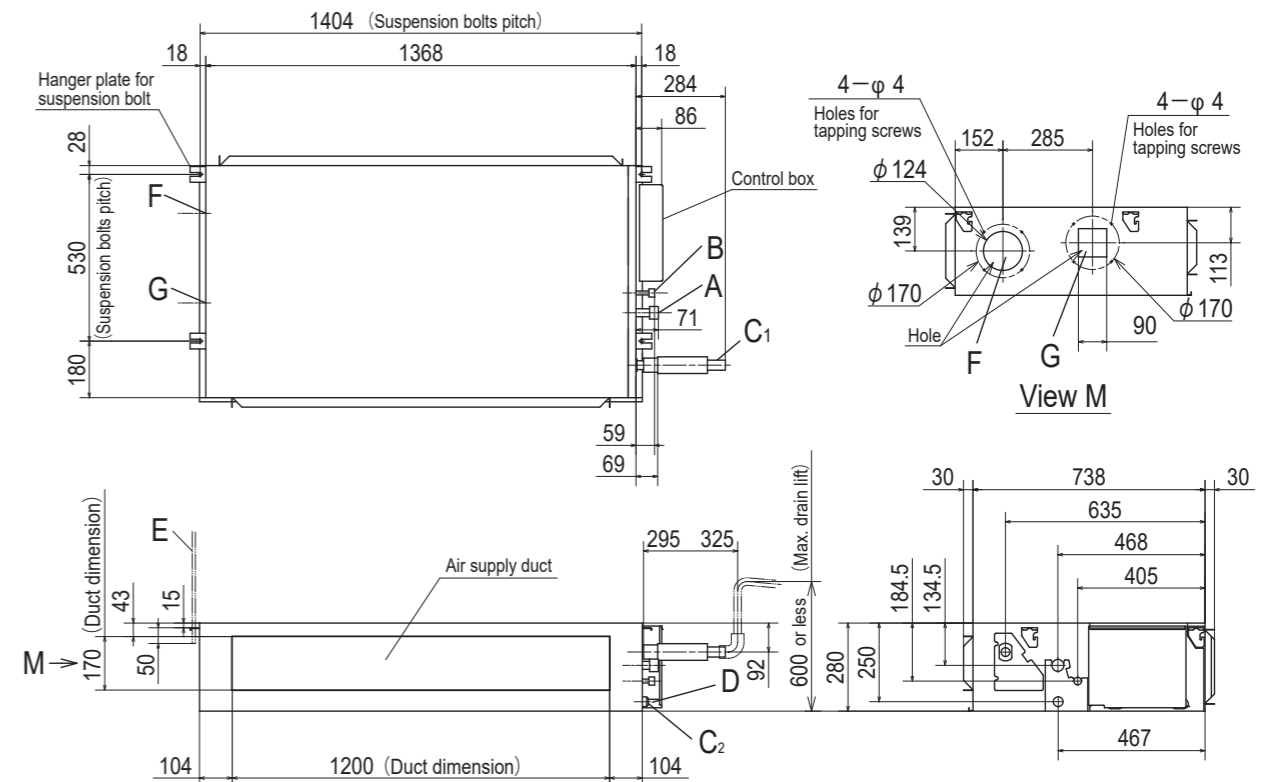
- Note (1) The model name label is attached on the lid of the control box.

# FDU Series

FDU100VH, 125VH, 140VH



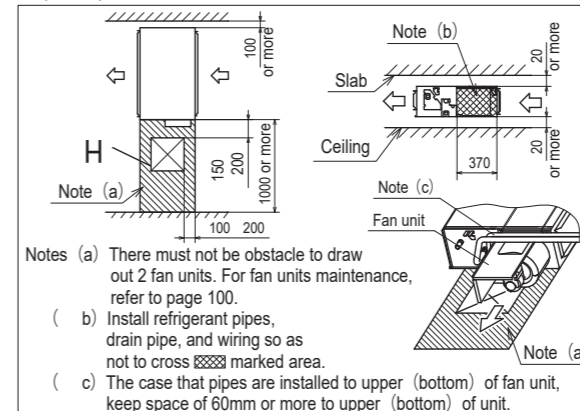
Symbol	Content	
A	Gas piping	φ 15.88 (5/8") (Flare)
B	Liquid piping	φ 9.52 (3/8") (Flare)
C1	Drain piping	VP25 (O.D.32)
C2	Drain piping (Gravity drainage)	VP20
D	Hole for wiring	
E	Suspension bolts	(M10)
F	Outside air opening for ducting	(Knock out)
G	Air outlet opening for ducting	(Knock out)
H	Inspection opening	(450×450)



Unit:mm

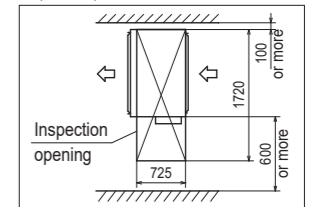
### Space for installation and service

Select either of two cases to keep space for installation and services.  
(Case 1) From side of unit



- Notes (a) There must not be obstacle to draw out 2 fan units. For fan units maintenance, refer to page 100.  
(b) Install refrigerant pipes, drain pipe, and wiring so as not to cross marked area.  
(c) The case that pipes are installed to upper (bottom) of fan unit, keep space of 60mm or more to upper (bottom) of unit.

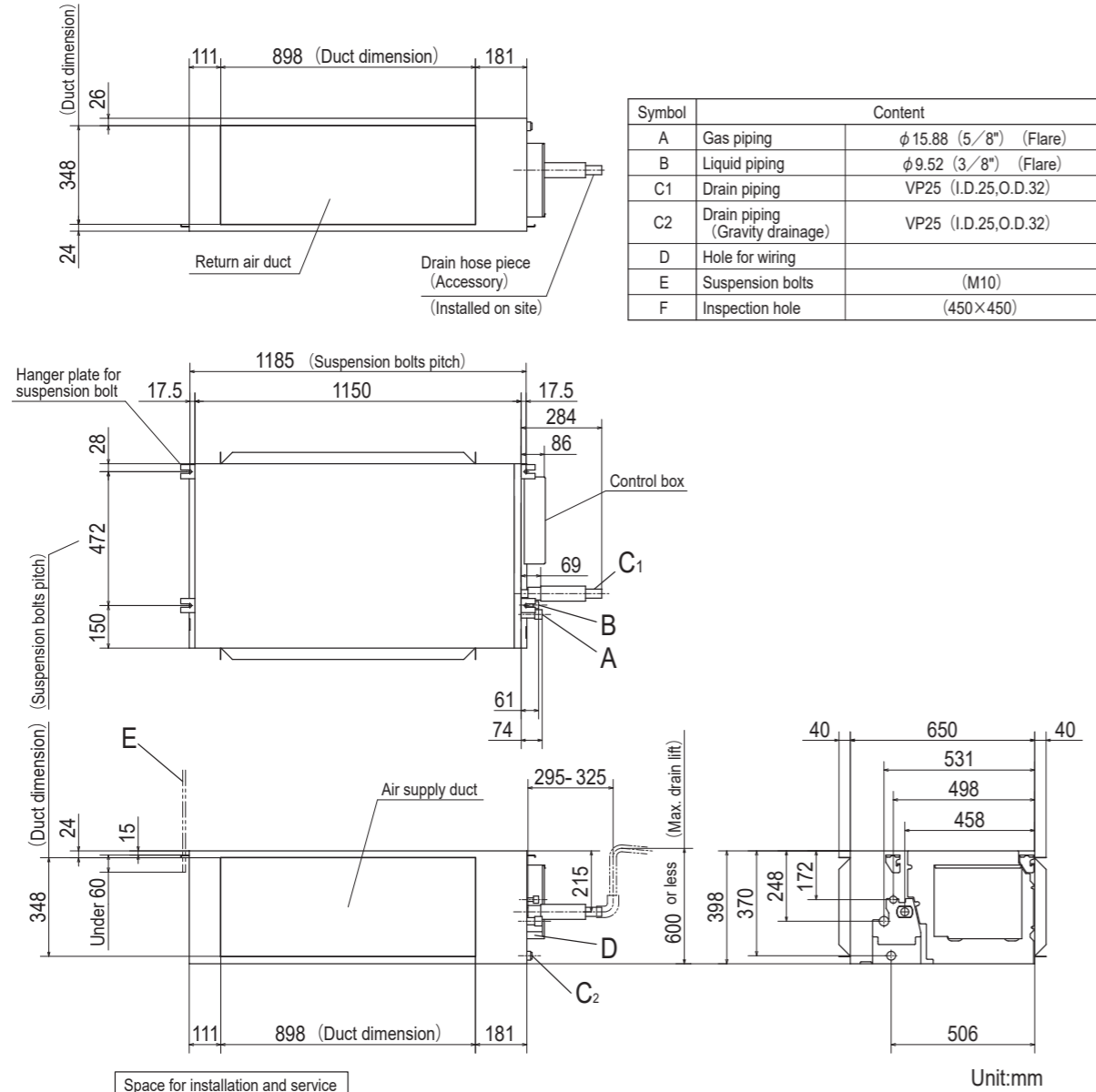
### (Case 2) From bottom of unit



- Note (1) The model name label is attached on the lid of the control box.

# FDUA Series

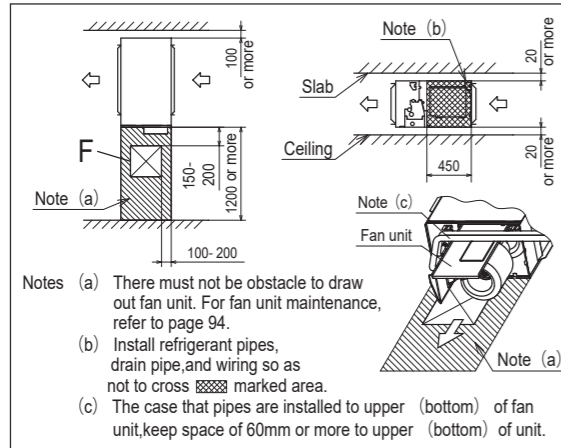
FDUA100, 125VH



Symbol	Content	
A	Gas piping	φ 15.88 (5/8") (Flare)
B	Liquid piping	φ 9.52 (3/8") (Flare)
C1	Drain piping	VP25 (I.D.25,O.D.32)
C2	Drain piping (Gravity drainage)	VP25 (I.D.25,O.D.32)
D	Hole for wiring	
E	Suspension bolts	(M10)
F	Inspection hole	(450×450)

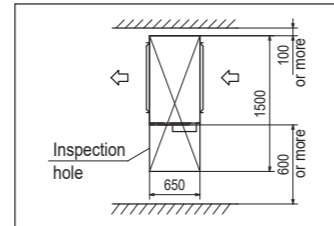
### Space for installation and service

Select either of two cases to keep space for installation and services.  
(Case 1) From side of unit



- Notes
- (a) There must not be obstacle to draw out fan unit. For fan unit maintenance, refer to page 94.
  - (b) Install refrigerant pipes, drain pipe, and wiring so as not to cross the marked area.
  - (c) The case that pipes are installed to upper (bottom) of fan unit, keep space of 60mm or more to upper (bottom) of unit.

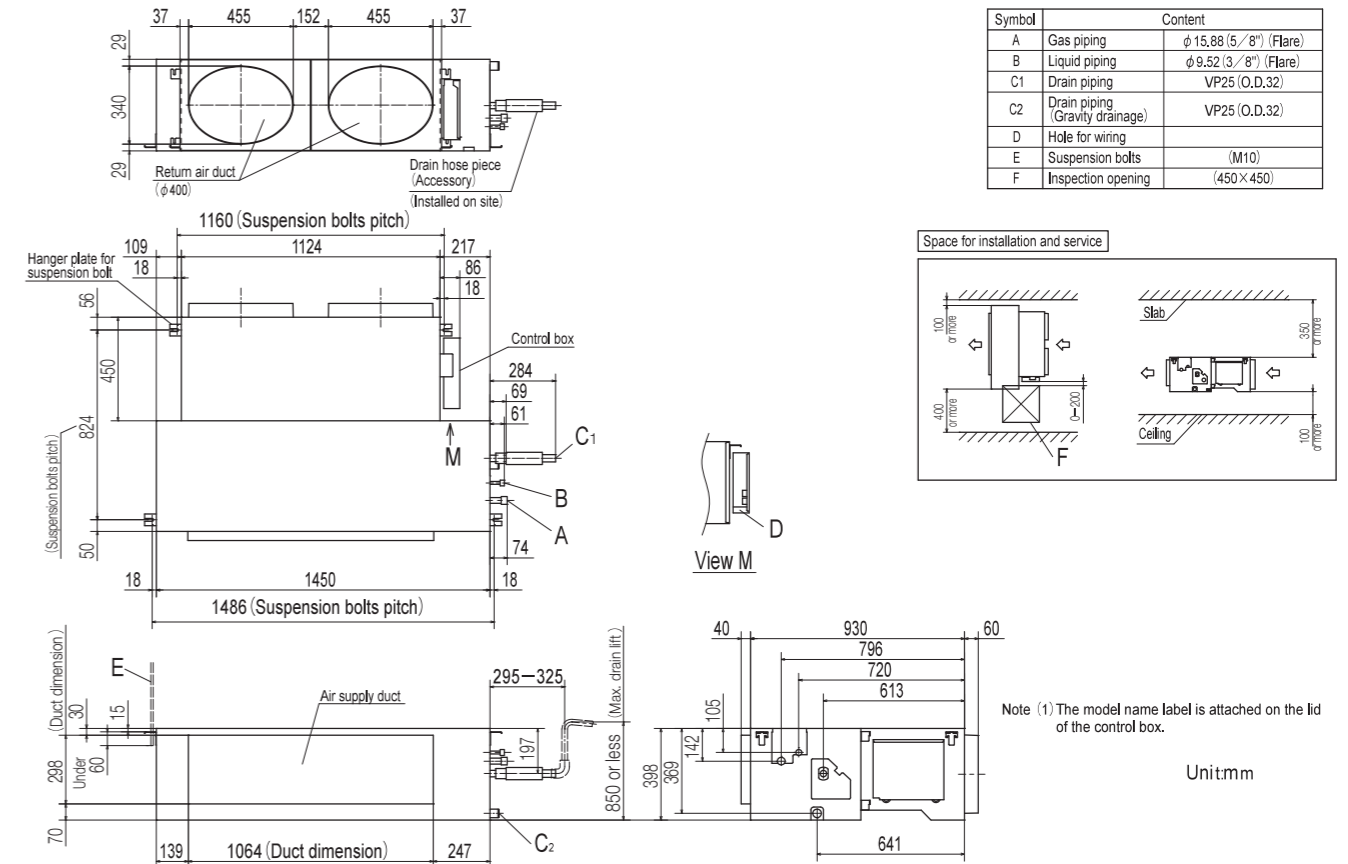
### (Case 2) From bottom of unit



Note (1) The model name label is attached on the lid of the control box.

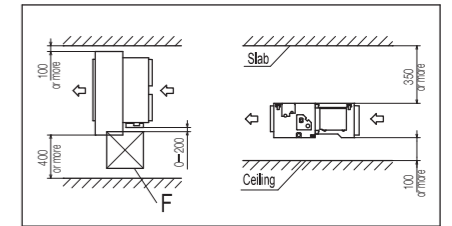
# FDUA Series

FDUA140VH



Symbol	Content	
A	Gas piping	φ 15.88 (5/8") (Flare)
B	Liquid piping	φ 9.52 (3/8") (Flare)
C1	Drain piping	VP25 (O.D.32)
C2	Drain piping (Gravity drainage)	VP25 (O.D.32)
D	Hole for wiring	
E	Suspension bolts	(M10)
F	Inspection opening	(450×450)

### Space for installation and service

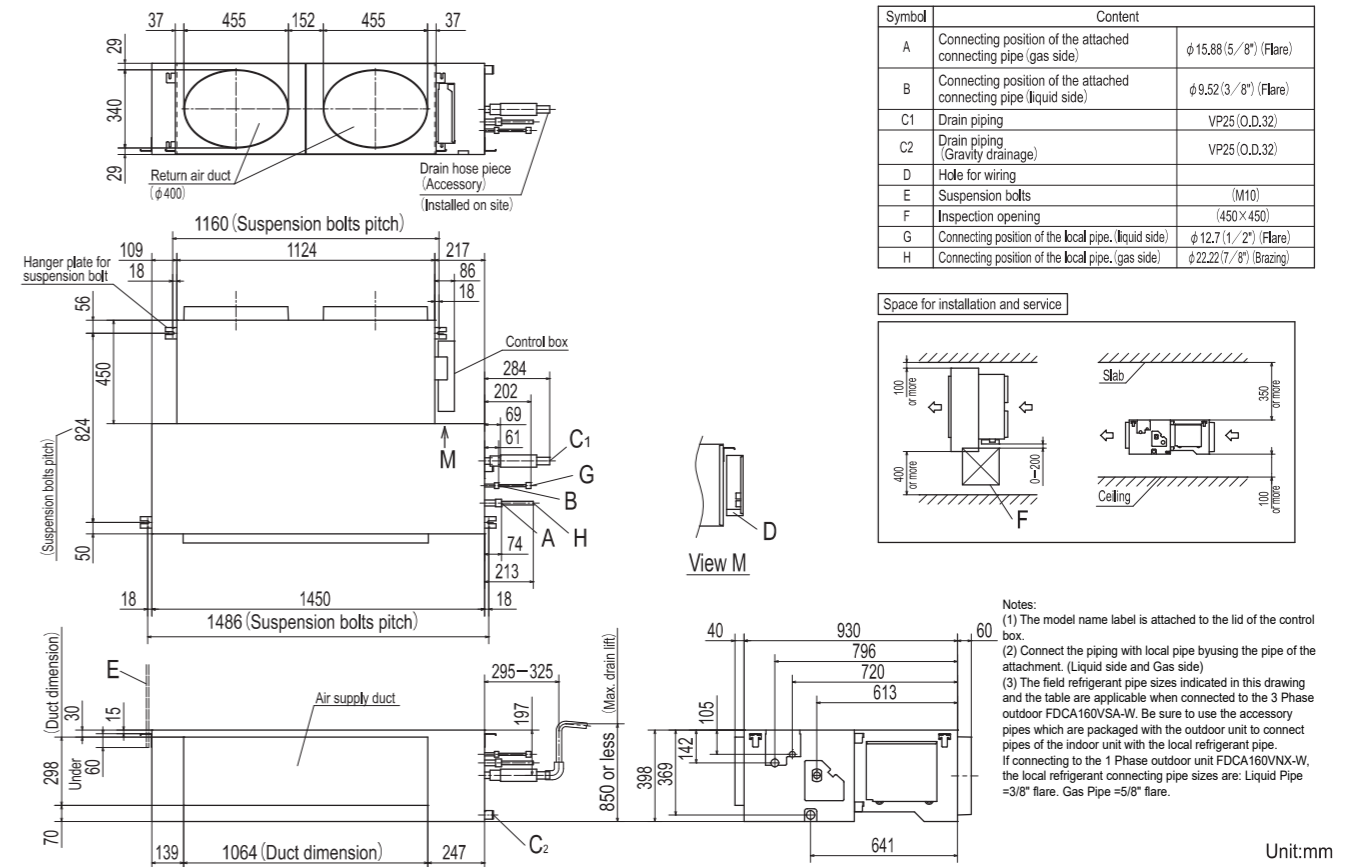


Note (1) The model name label is attached on the lid of the control box.

Unit:mm

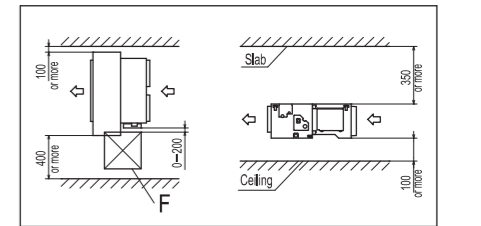
# FDUA Series

FDUA160VH



Symbol	Content	
A	Connecting position of the attached connecting pipe (gas side)	φ 15.88 (5/8") (Flare)
B	Connecting position of the attached connecting pipe (liquid side)	φ 9.52 (3/8") (Flare)
C1	Drain piping	VP25 (O.D.32)
C2	Drain piping (Gravity drainage)	VP25 (O.D.32)
D	Hole for wiring	
E	Suspension bolts	(M10)
F	Inspection opening	(450×450)
G	Connecting position of the local pipe (liquid side)	φ 12.7 (1/2") (Flare)
H	Connecting position of the local pipe (gas side)	φ 22.22 (7/8") (Brazing)

### Space for installation and service

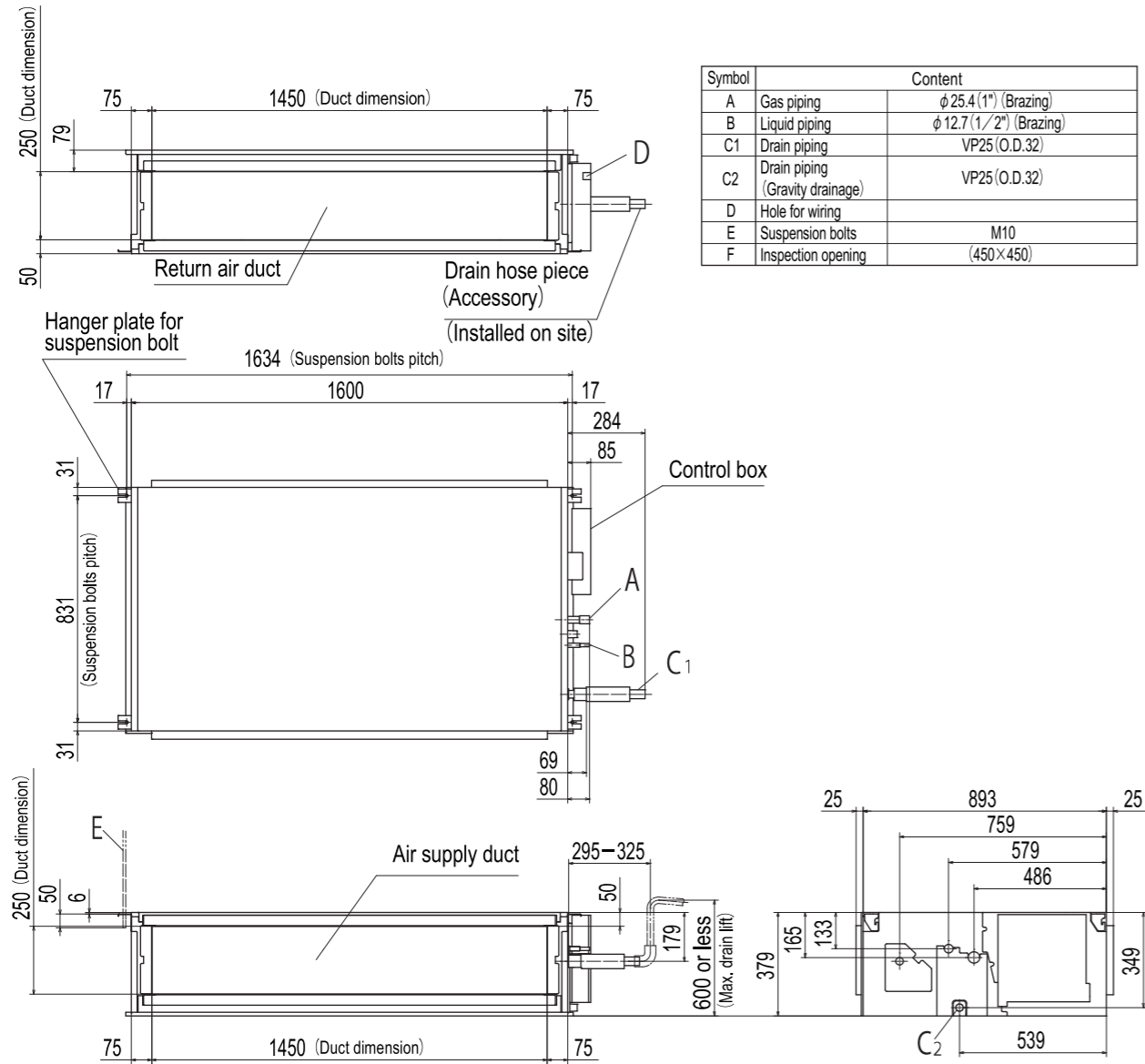


- Notes:
- (1) The model name label is attached to the lid of the control box.
  - (2) Connect the piping with local pipe by using the pipe of the attachment. (Liquid side and Gas side)
  - (3) The field refrigerant pipe sizes indicated in this drawing and the table are applicable when connected to the 3 Phase outdoor FDCA160VSA-W. Be sure to use the accessory pipes which are packaged with the outdoor unit to connect pipes of the indoor unit with the local refrigerant pipe. If connecting to the 1 Phase outdoor unit FDCA160VNX-W, the local refrigerant connecting pipe sizes are: Liquid Pipe = 3/8" flare, Gas Pipe = 5/8" flare.

Unit:mm

# FDUA Series

FDUA200VH

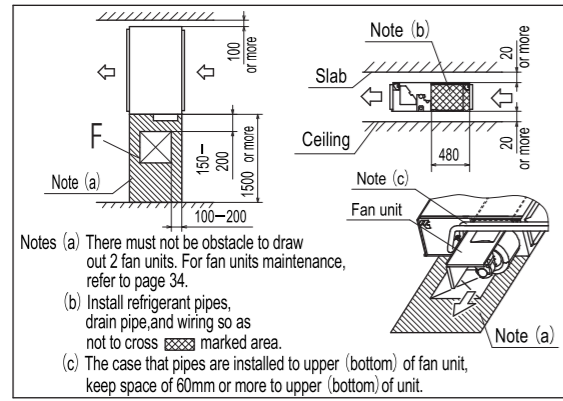


Symbol	Content	
A	Gas piping	φ 25.4 (1") (Brazing)
B	Liquid piping	φ 12.7 (1/2") (Brazing)
C1	Drain piping	VP25 (O.D.32)
C2	Drain piping (Gravity drainage)	VP25 (O.D.32)
D	Hole for wiring	
E	Suspension bolts	M10
F	Inspection opening	(450×450)

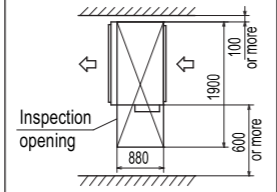
Unit:mm

### Space for installation and service

Select either of two cases to keep space for installation and services.  
(Case 1) From side of unit



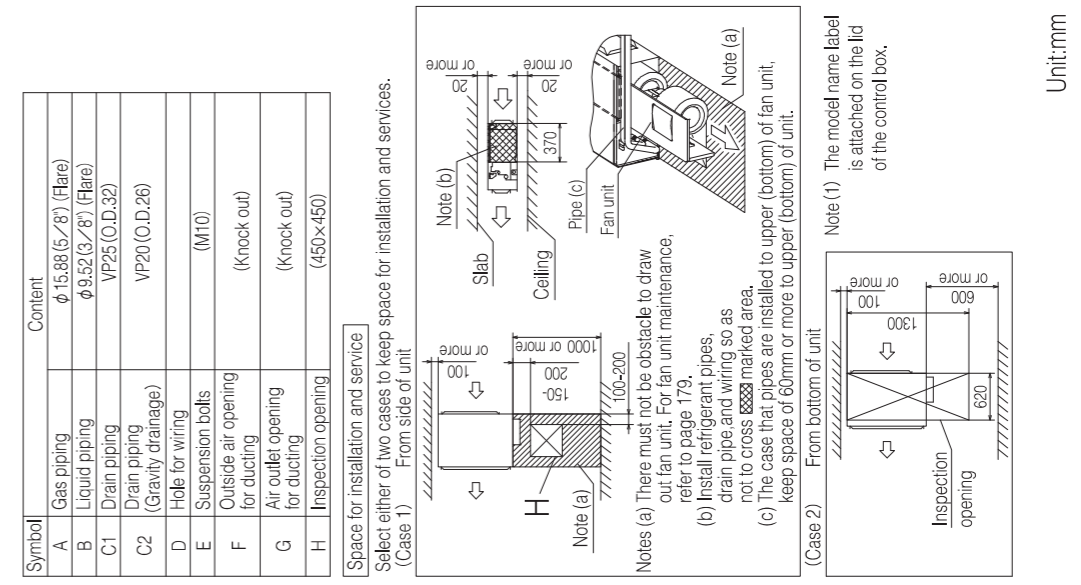
### (Case 2) From bottom of unit



Note (1) The model name label is attached on the lid of the control box.

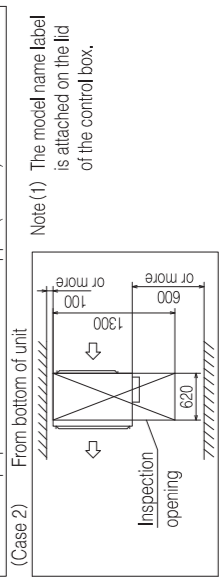
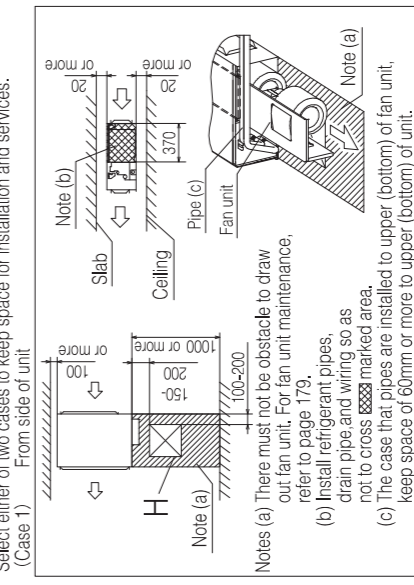
# KX Series

FDU90KXE6F-W

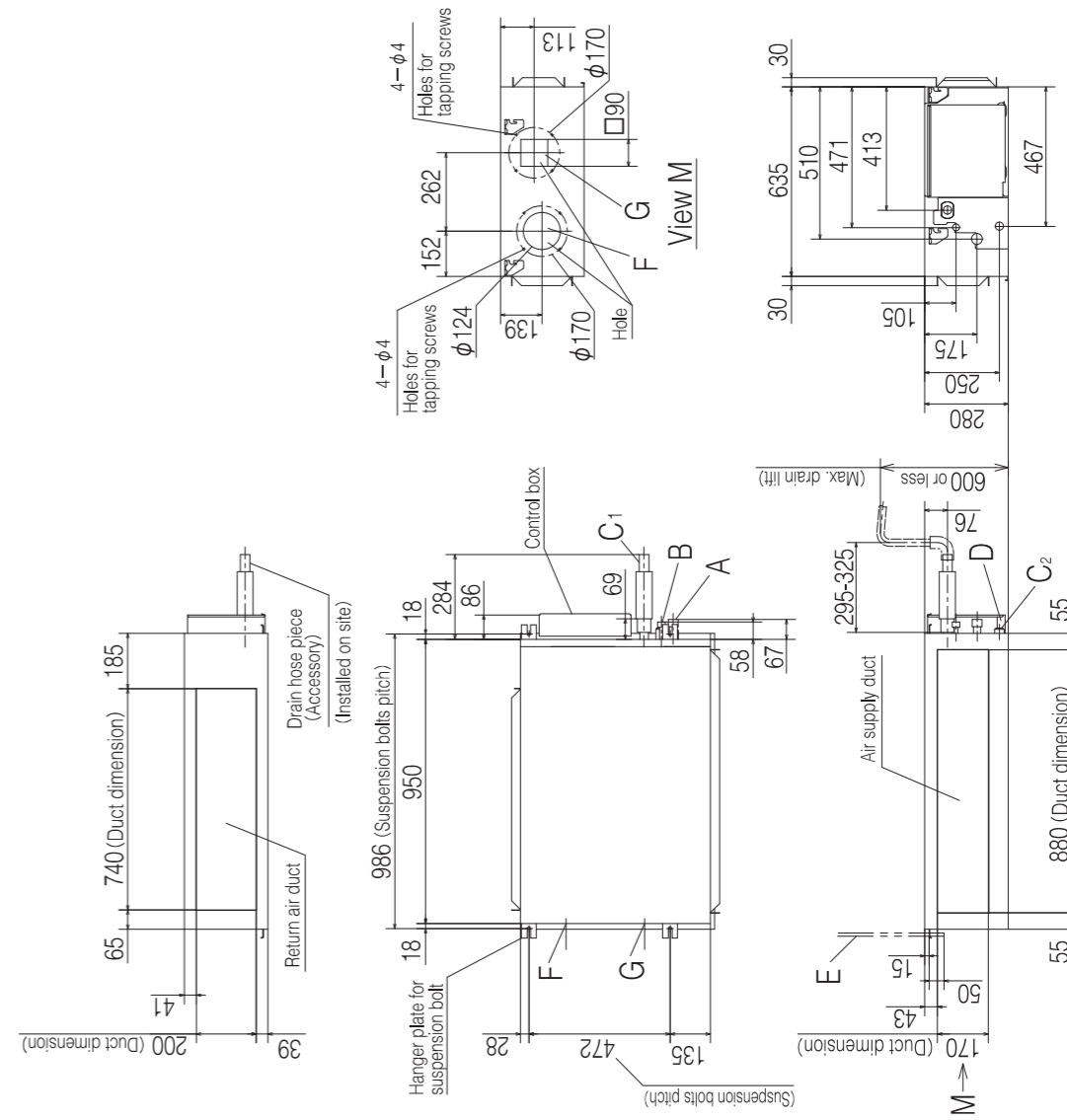


Symbol	Content	
A	Gas piping	φ 15.88 (5/8") (Flare)
B	Liquid piping	φ 9.52 (3/8") (Flare)
C1	Drain piping	VP25 (O.D.32)
C2	Drain piping (Gravity drainage)	VP20 (O.D.26)
D	Hole for wiring	(M10)
E	Suspension bolts	(Knock out)
F	Outside air opening for ducting	(Knock out)
G	Air outlet opening for ducting	(Knock out)
H	Inspection opening	(450×450)

Space for installation and service  
Select either of two cases to keep space for installation and services.  
(Case 1) From side of unit

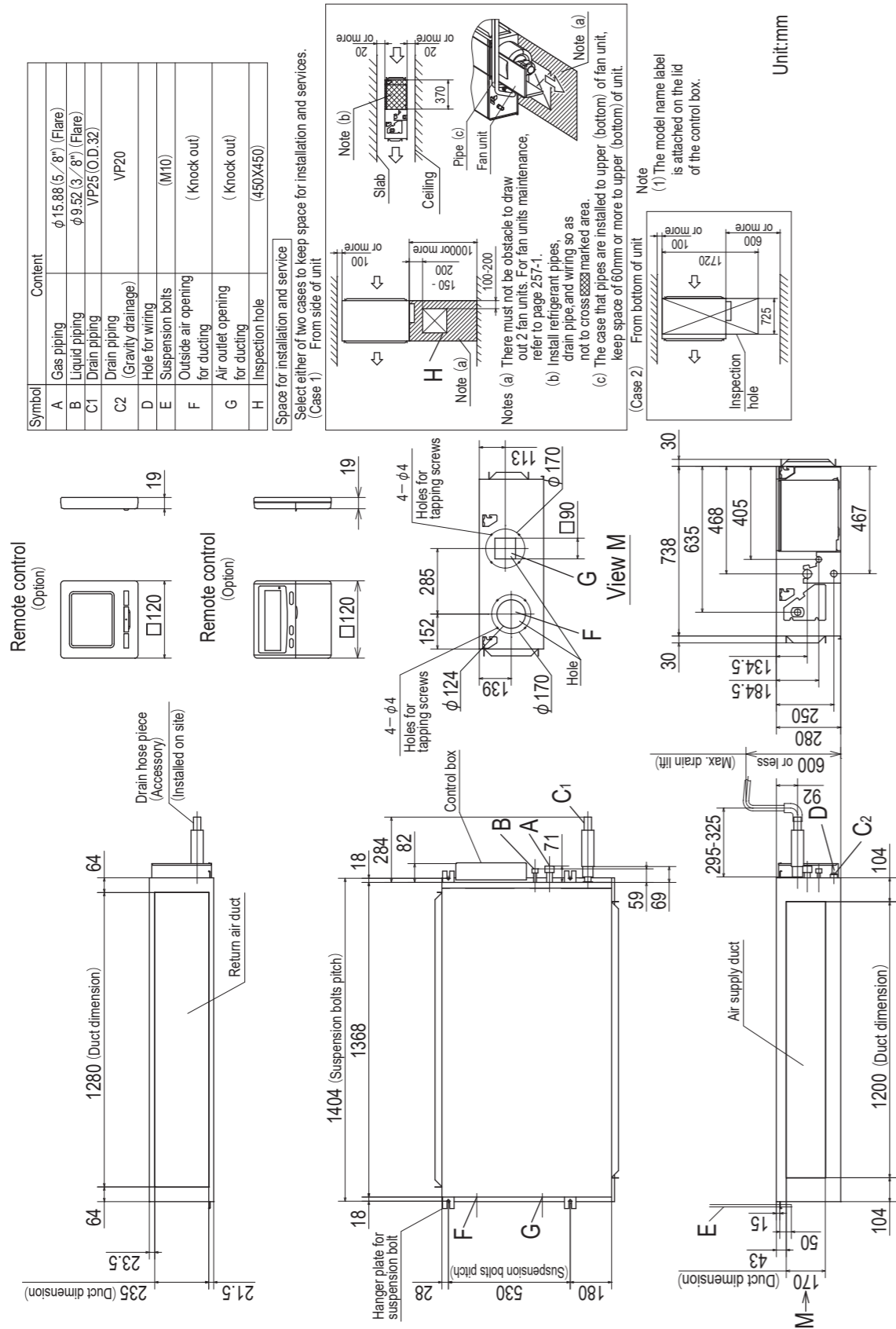


Unit:mm



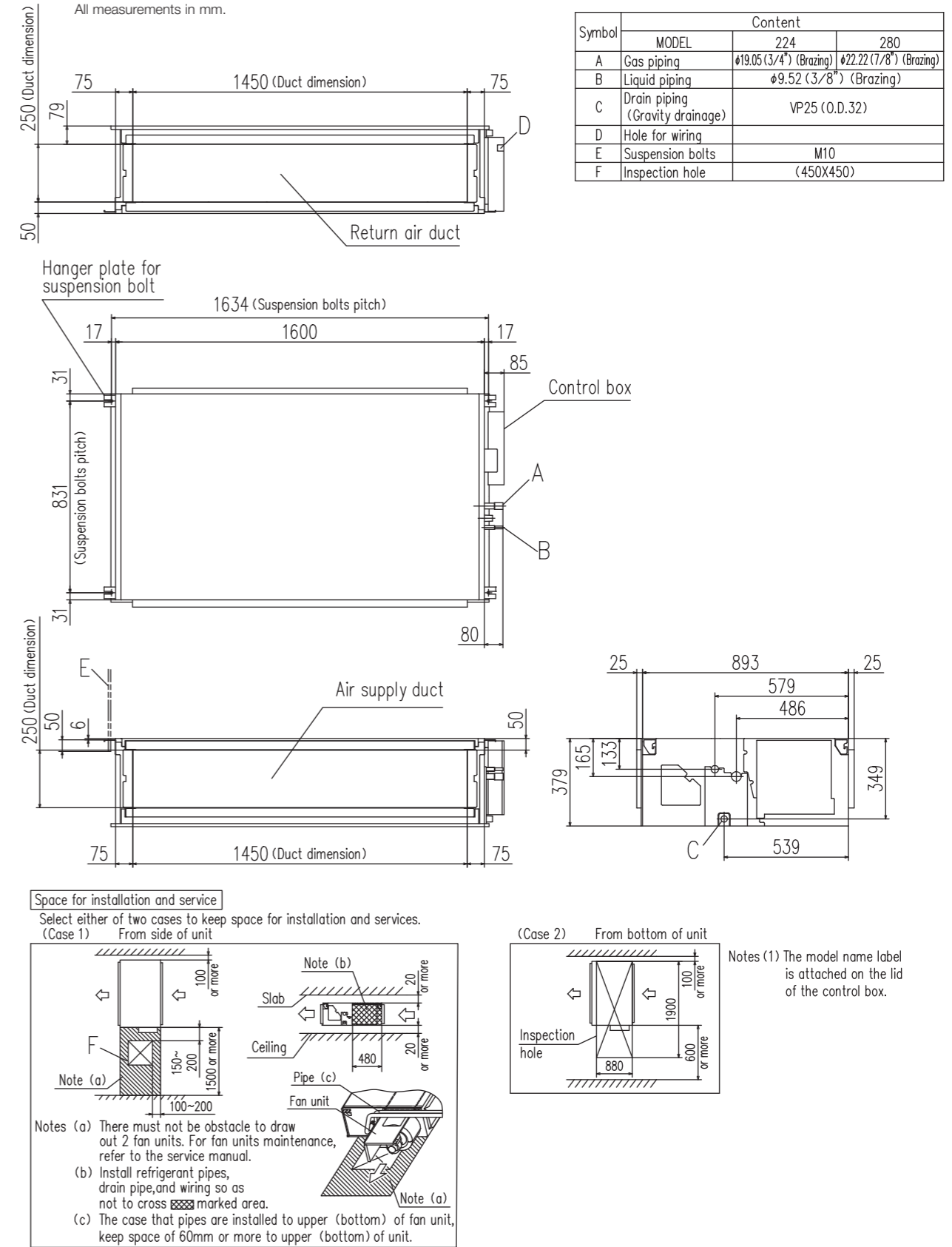
# KX Series

FDU112KXE6F-W, 140KXE6F-W, 160KXE6F-W



# KX Series

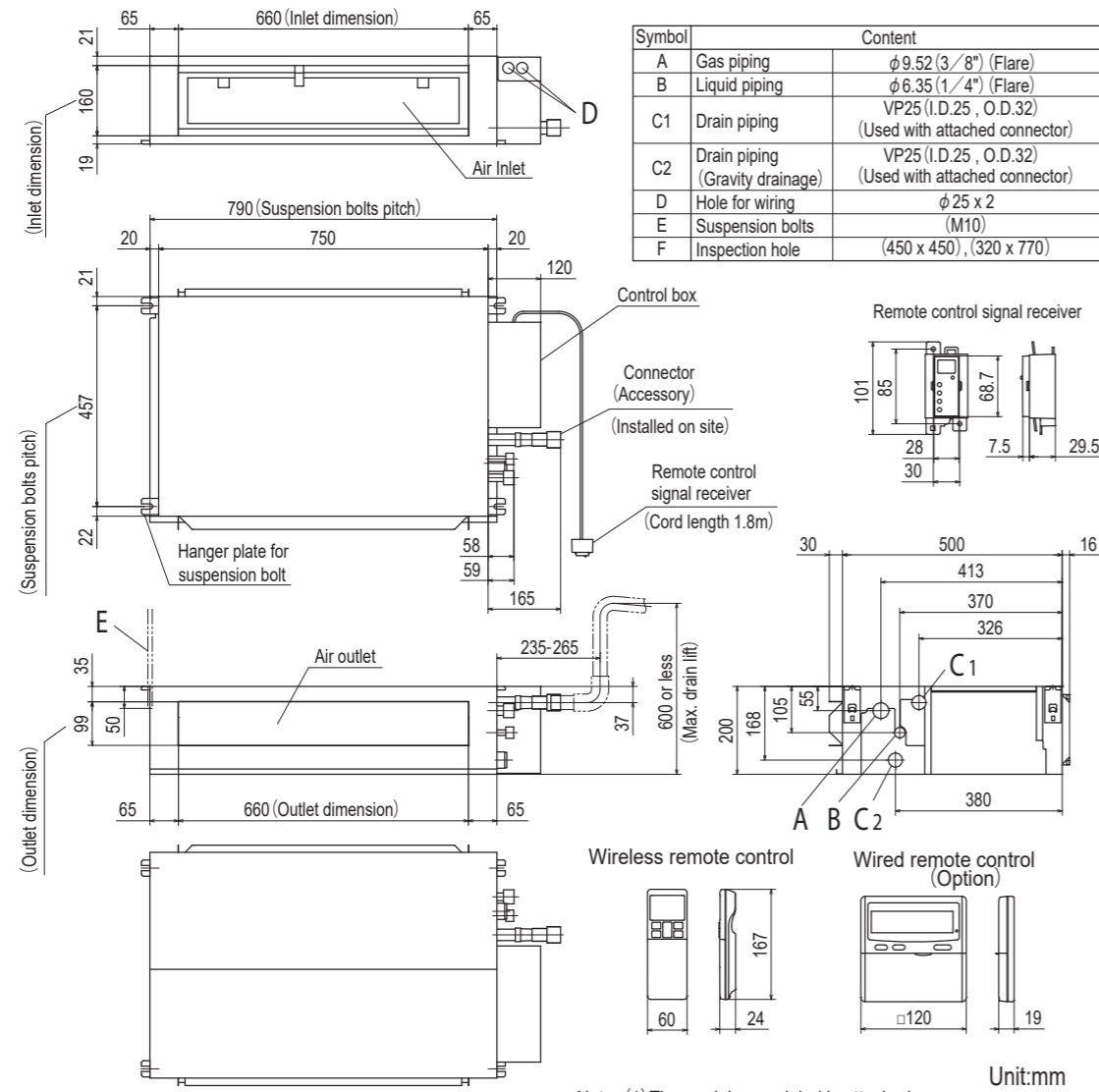
FDU224KXZE1, 280KXZE1



Symbol	Content		
	MODEL	224	280
A	Gas piping	φ19.05 (3/4") (Braze)	φ22.22 (7/8") (Braze)
B	Liquid piping	φ9.52 (3/8") (Braze)	φ9.52 (3/8") (Braze)
C	Drain piping (Gravity drainage)	VP25 (O.D.32)	
D	Hole for wiring		
E	Suspension bolts	M10	
F	Inspection hole	(450X450)	

# AKARI™ Series

SRR25ZS-W, 35ZS-W



# Notes

---

---

---

---

---

---

---

---

---

---

---

---

---

---

---

---

---

---

---

---

---

---

---

---

---

---

# THE EXPERTS IN AIR

[mhiaa.com.au](http://mhiaa.com.au)

ABN 92 133 980 275

**Australia:**

Phone: **1300 138 007**

**NSW & Head Office**

Block E, 391 Park Road, Regents Park NSW 2143

**Victoria**

2/15 Howleys Road, Notting Hill VIC 3168

**Brisbane**

5/26 Flinders Parade, North Lakes QLD 4509

**Adelaide**

T50 Innovation House, Mawsons Lakes Boulevard, Mawsons Lakes SA 5095

**Townsville**

1/37 Ross River Road, Mysterton QLD 4812

**Western Australia**

1/15-17 Capital Road, Malaga WA 6090

Mitsubishi Heavy Industries Air conditioners Australia, Pty. Ltd.

MOVE THE WORLD FORWARD  **RD MITSUBISHI  
HEAVY  
INDUSTRIES  
GROUP**